

LOWRANCE®

2011 Marine Products Catalog



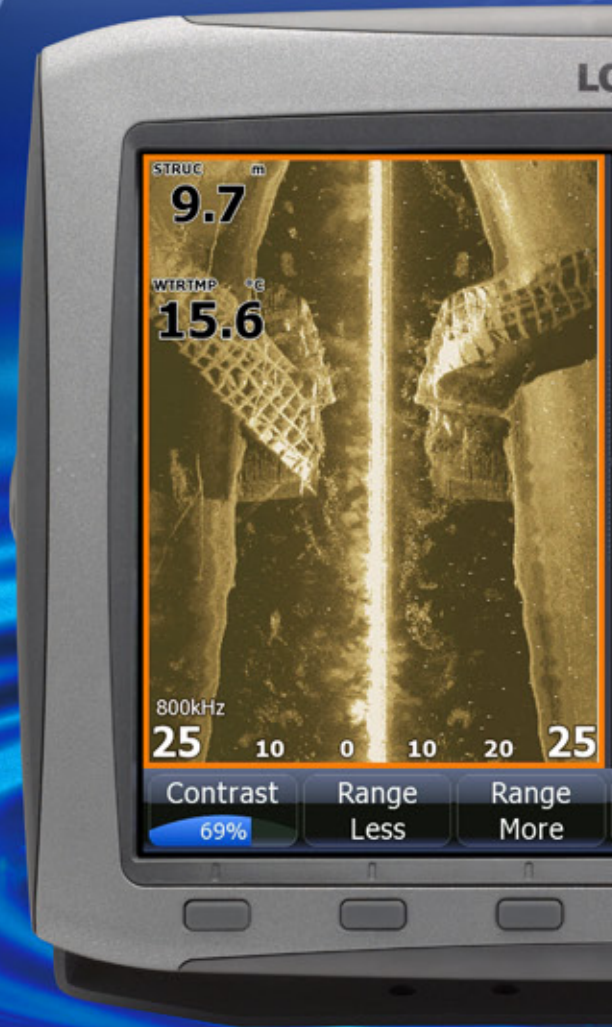
Innovative Performance



LOWRANCE®

Since 1957, Lowrance continues the tradition of leading the way for innovative marine electronics that deliver meaningful performance benefits to anglers and boaters of all skill levels.

From standalone fishfinders with best-in class performance to complete High Definition Systems including today's most revolutionary radar solution, Lowrance gives you a complete range of options to meet the need of every on-the-water experience.





Performance Network System Rigging

Freshwater fishing	4
Great Lakes/Pacific Northwest fishing	5
Saltwater coastal fishing	6
Sports boat cruising	7

HDS® High Definition System

Multifunction display features	8
Performance expansion highlights	10
Fishfinder/chartplotters	12
Fishfinders	14

HDS® Performance Expansion Options

StructureScan™ sonar imaging	16
Insight HD marine cartography	20
Navionics® cartography	22
LakeMaster®/Fishing Hot Spots® cartography	24
SIRIUS® satellite weather/radio module	25
Broadband 3G™ Radar	26
HD digital radar	28
SonicHub™ marine entertainment	30
NMEA 2000® networking	32
Performance transducers	34
System accessories	38

Wired to Win – Lowrance Pros

Standalone Electronics

Elite™ DSI DownScan Imaging™	40
Mark™ DSI DownScan Imaging™	41
Elite™ fishfinders/chartplotters	42
Mark™ fishfinders	43
M/X Series compact fishfinders/chartplotters	44
VHF marine radios	47
Endura™ handheld GPS	48
Off-Road Racing GPS	49
Standalone accessories	50

Specifications

Product dimensions/drawings	58
-----------------------------	----





Freshwater Fishing





Great Lakes/Pacific Northwest Fishing





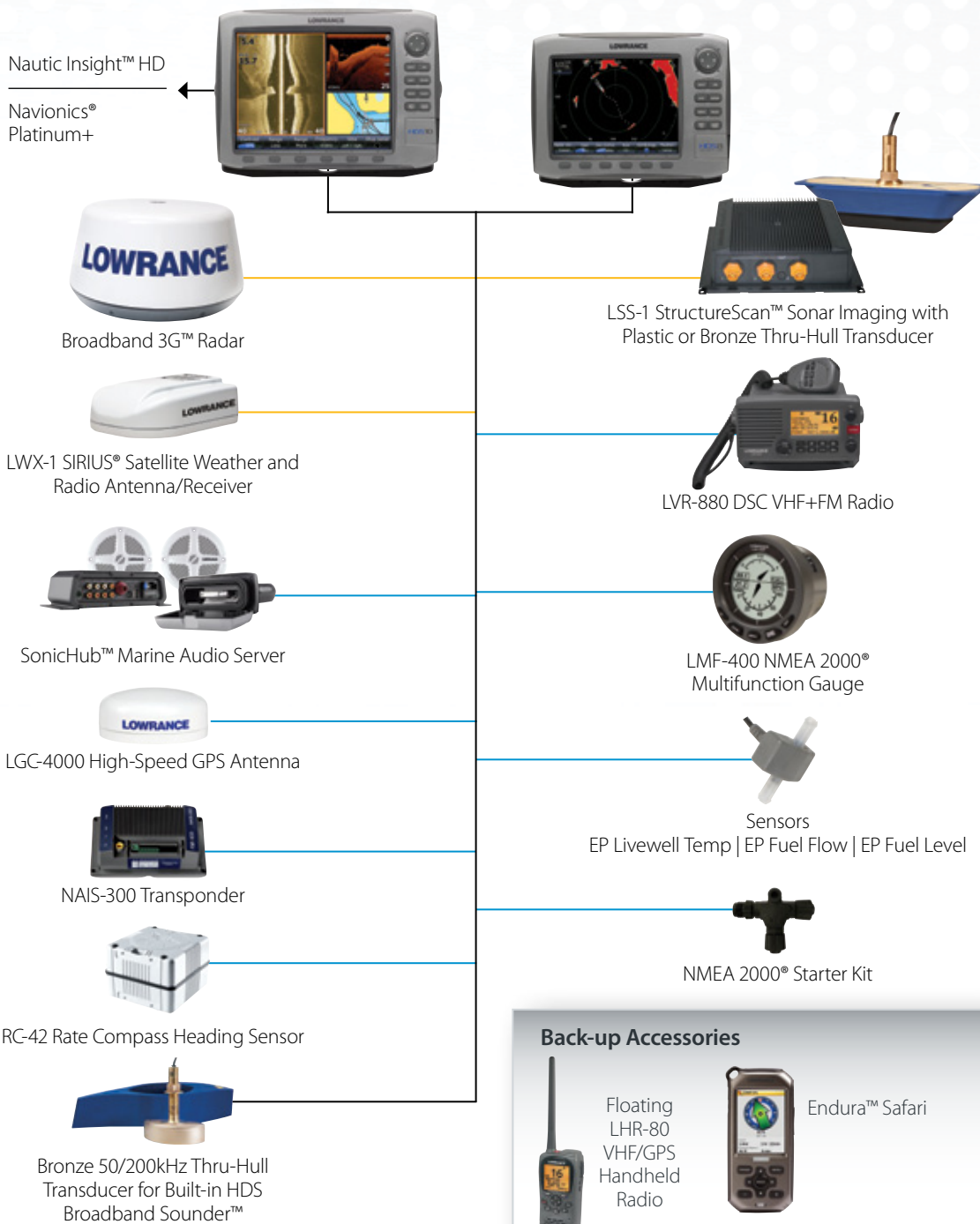
Saltwater Coastal Fishing



HDS-10 | HDS-8
Fishfinder/Chartplotter
U. S. Basemap

HDS-10 | HDS-8 | HDS-7 | HDS-5
Fishfinder/Chartplotter
Built-in Insight cartography

Key NMEA 2000®
 Ethernet



Back-up Accessories



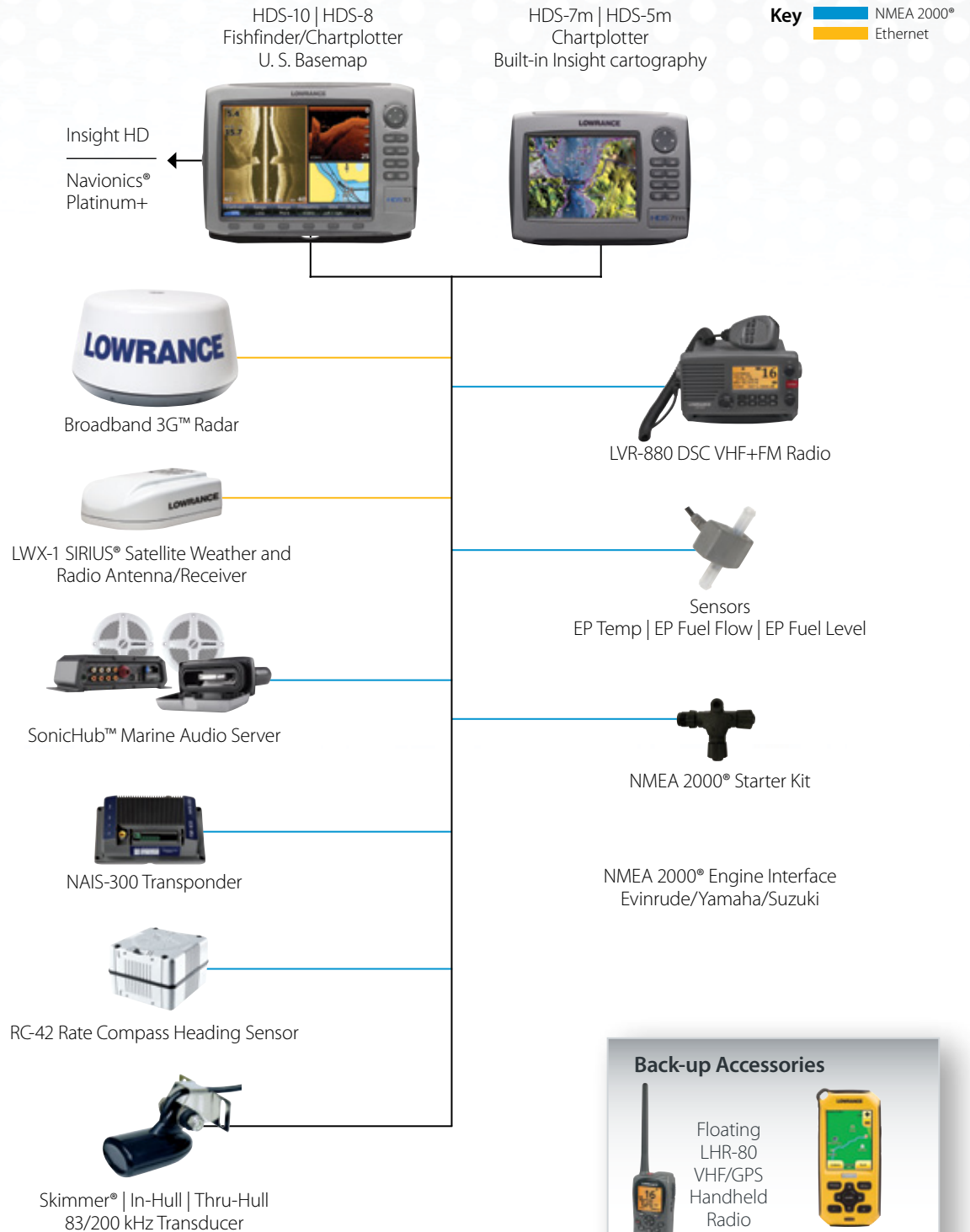
Floating LHR-80 VHF/GPS Handheld Radio



Endura™ Safari



Sports Boat Cruising



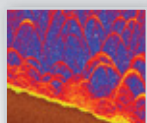
HDS® Multifunction Displays

HDS®
High Definition System

Proven
Performance
for Your
Finest Hours
on the Water.



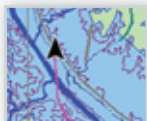
Built-in, standard-setting HDS innovations uniquely extend your capacity and enjoyment on the water.



Broadband Sounder™ – Recognized Excellence in Fish and Structure Detection

A leap ahead in traditional 2-D analog fishfinding, award-winning HDS Broadband Sounder™ digital acoustic sonar presents peerless, high-detail marking and display of everything underwater. At higher speeds. At greater depths to 3,300 ft./1000 m.

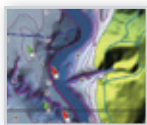
STANDARD ON ALL HDS FISHFINDER MODELS



Internal GPS Antenna – Spot-on Always

Advanced Lowrance high-sensitivity GPS receiver with WAAS corrections for reliable position accuracy in navigation.

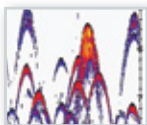
STANDARD ON ALL HDS CHARTPLOTTER MODELS



Intuitive Insight High-Definition Mapping

Exclusive Lowrance Insight cartography presents the most unique viewing dimension ever achieved for supreme fishing and navigation guidance of U.S. inland lake and coastal waters. Dynamic contour relief produces a life-like presentation of underwater topography that's enhanced with Fishing Hot Spots® fisheries detail.

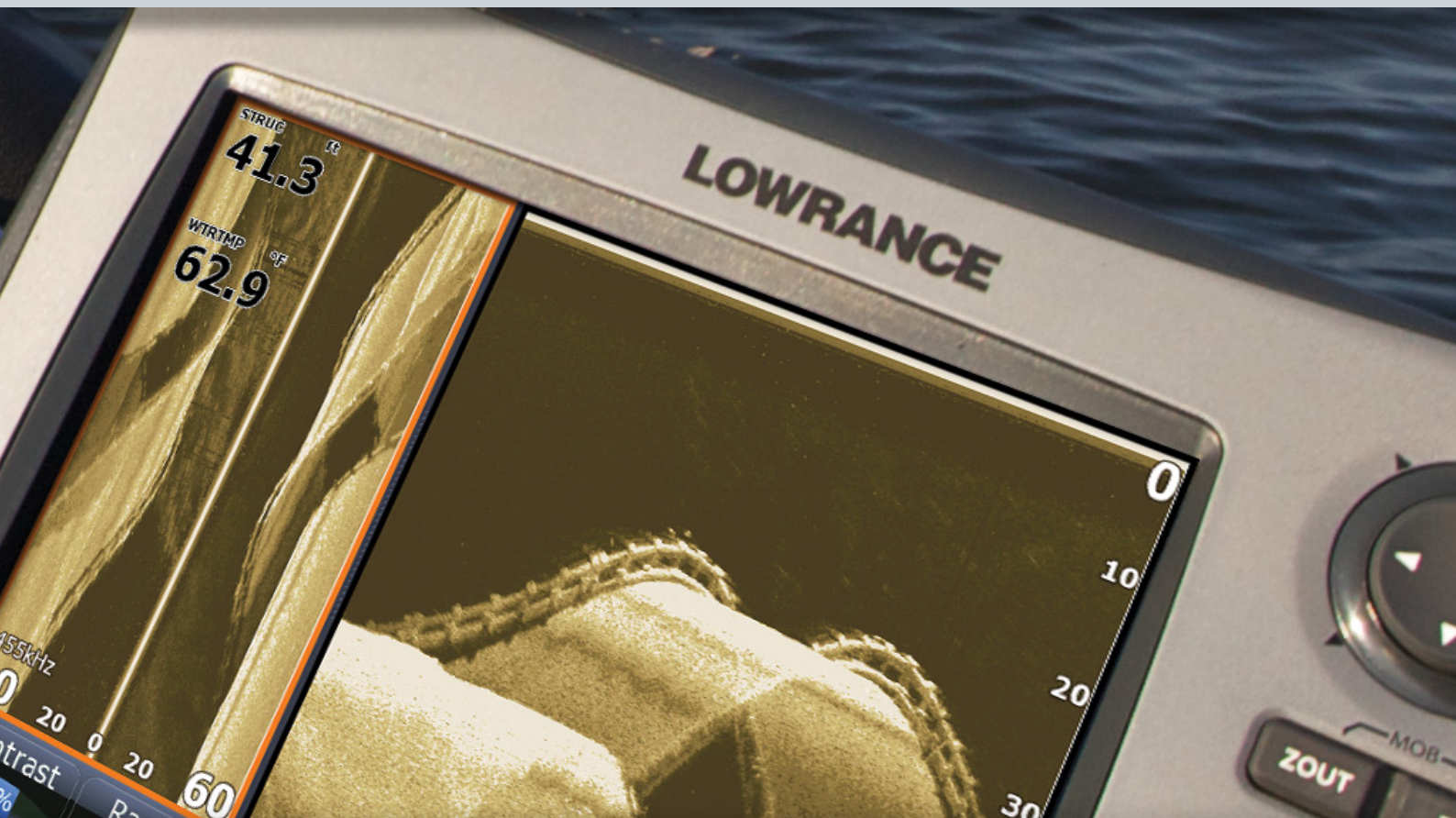
STANDARD ON MOST HDS CHARTPLOTTER MODELS



SolarMAX™ Screen Technology – You Won't Miss a Thing

Another Lowrance achievement, exclusive SolarMAX™ display technology renders the finest picture and detail – even in the brightest sun and at the widest viewing angles – of any recreational marine electronics. Super-white adjustable LED backlighting with zero-dim for night vision clarity.

STANDARD ON ALL HDS MODELS



Special Key Features – Control on the Fly

Unique FlyWheel™ scroll dial and display-dedicated soft function keys give the fastest and easiest access to key features/functions control of any display screen mode.

STANDARD ON ALL HDS-10 AND HDS-8 HDS MODELS

Easy Operation – Enjoy Selections from a Unique Menu

Special, intuitive graphic + text user interface displays are easy to grasp and speed access and control of feature functions.

STANDARD ON ALL HDS CHARTPLOTTER MODELS

SD Media Card Port – Another Lowrance First

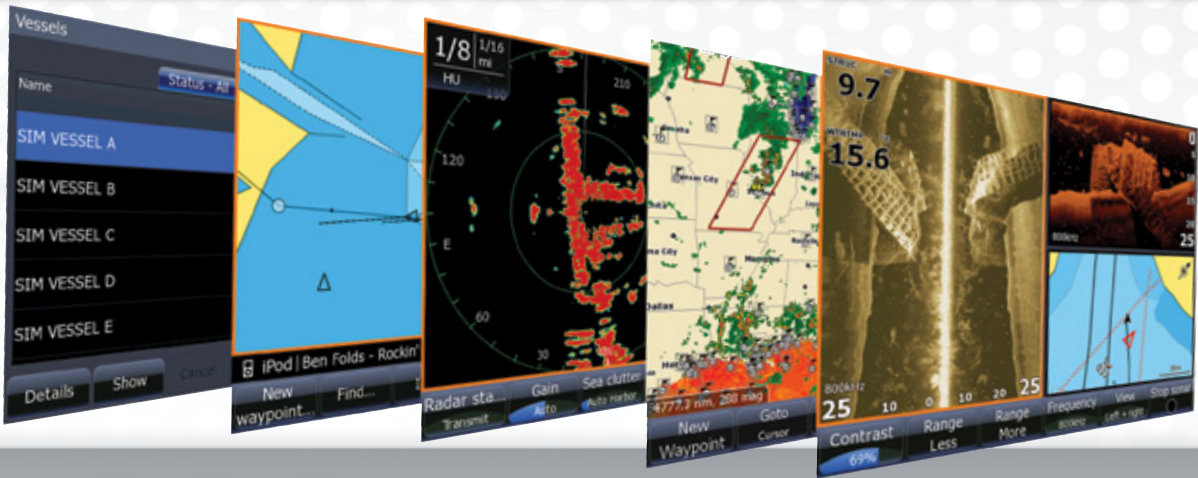
Insert and display Insight HD, Navionics®, Fishing Hot Spots® or LakeMaster® digital charting options.. Record/save sonar logs and GPS detail data as well as screen captures. Upload performance-enhancing software upgrades. The HDS media port is totally waterproof.

STANDARD ON ALL HDS CHARTPLOTTER MODELS

Out-of-the-Box Networking – Plug-and-Play Perfected

HDS features full plug-and-play connectivity for multifunction networking and performance options expansions with the versatility of dual platforms: High-speed Ethernet for data-intensive devices, plus NMEA 2000® for lower-bandwidth sharing of outboard engine and onboard sensors data with all networked displays.

STANDARD ON ALL HDS MODELS



StructureScan™ Sonar Imaging

Picture-perfect sonar detail with the most technically-advanced and full panoramic viewing – left, right and straight down – with plug-and-play HDS Ethernet networking.

OPTION FOR ALL HDS MODELS

Pages 16-19



Choice Cartography Choices

HDS is fully compatible with the widest array of high-detail chartcards to maximize your time, fishing/navigation success, and safety on inland and coastal waters. All with the convenience of plug-and-play viewing.

- **Lowrance Insight HD** – Dynamic, life-like underwater topography enhanced with Fishing Hot Spots® detail, featuring inland, coastal and new Baja coverage choices. Pages 20-21
- **Navionics®** – Superb coverage, detail and selection, including HotMaps® Platinum and Premium mapping, to Platinum+ and Gold digital charting. Pages 22-23
- **Fishing Hot Spots® PRO USA** – The ultimate angler's digital map and fishing card details nearly 4,500 lakes across America. Page 24
- **LakeMaster®** – Exceptional high-detail, high-definition mapcards of popular north central inland U.S. waters; includes Insight contour relief choices. Page 24

OPTIONS FOR ALL HDS CHARTPLOTTER MODELS



Transducers

Versatile, super-sensitive choices for superior sonar sounding performance, from inland fresh water, to coastal in-shore and near-shore, to high-power/deep water offshore selections.

OPTIONS FOR ALL HDS FISHFINDER MODELS

Page 34-35



Broadband Radar™

The most significant advancement in recreational radar. Tune-free, close-in, high-detail navigation. Radiation-free radomes that are easy and safe to mount anywhere, with HDS Ethernet networking and radar/chart overlay via NMEA 2000®.

OPTION FOR ALL HDS MODELS

Pages 26-27



HD Digital Radar

Advanced, high-definition radomes or open array with digital signal processing for target detection with superb accuracy in dark and foul weather. HDS Ethernet networking and radar/chart overlay via NMEA 2000®.

OPTIONS FOR ALL HDS MODELS

Page 28



AIS

AIS (Automatic Identification System) focuses your awareness on other AIS-equipped boats and ships in your vicinity and helps reduce the risk of collision by exchanging safety data between them. Displayed on HDS via NMEA 2000® data network.

OPTION FOR ALL HDS MODELS WITH CHARTPLOTTING

Page 32



High-Speed GPS Antenna

Enhanced and incredible GPS position accuracy at even the highest boat speeds in a 5 Hz 16-channel antenna module with true position updates five times every second when networked to HDS via NMEA 2000® data network..

OPTION FOR ALL HDS MODELS WITH CHARTPLOTTING

Page 32



LWX-1 SIRIUS® Satellite Weather/Radio

This plug-and-play smart antenna module networks with any onboard HDS display for real-time, high-resolution NOWRad® satellite weather, plus digital stereo radio, with inland and coastal SIRIUS® subscription choices.

OPTION FOR ALL HDS MODELS EXCEPT HDS-5x

Pages 25



SonicHub™ Marine Audio Server

Experience a whole new audio wave in onboard entertainment with the world's first marine-grade, waterproof audio hub/docking system with the convenience of total control using any HDS multifunction display.

OPTION FOR ALL HDS MODELS

Page 30



Boat/Engine/Fuel Management

Lowrance innovation delivers the most comprehensive selection of NMEA 2000® network gauges, sensors and engine interfacing for improved vessel systems management and fuel economies.

OPTIONS FOR ALL HDS MODELS

Page 33



VHF Marine Radios

Remarkable quality, features, dependability and value in special-featured fixed-mount and handheld VHF marine communications.

Page 47



Endura™ Handheld GPS

Versatile precision, marine-quality portable navigation choices make the perfect backup GPS for added safety. Compatible with Fishing Hot Spots® PRO USA and select Navionics® chartcard options.

Page 48



Shown with Navionics®Platinum+ cartography and StructureScan™ Sonar Imaging



"We found the tarpon of a lifetime, but an 800-pound hammerhead kept stealing our trophy catch. The next day was our turn. We used StructureScan and Trackback to mark a huge school of tarpon off a small ledge, and the shark was right next door. On our first pass, we hooked that monster and settled the score."

– Tom Rowland,
Saltwater Experience TV Host

HDS-10 Fishfinder/GPS Chartplotter

Massive, high-definition 10.4 in./26.4 cm, 600V x 800H pixel Super VGA color detail. Brighter SolarMAX™ PLUS display for superior sunlight and wider-angle viewing. Built-in Insight USA™ high-definition cartography with Fishing Hot Spots® detail, or enhanced U.S. basemap. Pure-white LED screen/keypad backlighting fully adjusts to zero-dim for night viewing. Two-year limited warranty.

- HDS-10 Insight USA (transducer sold separately) 000-0140-41**
- HDS-10 Insight USA, 83/200 kHz Skimmer® transducer 000-0140-13**
- HDS-10 Insight USA, 50/200 kHz Skimmer® transducer 000-0140-02**
- HDS-10 US Basemap, 83/200 kHz Skimmer® transducer 000-0140-00**



Shown with U.S. basemap and StructureScan™ Sonar Imaging

HDS-8 Fishfinder/GPS Chartplotter

All the same features and high-definition, Super VGA color clarity viewing of the HDS-10 in an award-winning, 8.4 in./21.3 cm. display size. Built-in Insight USA™ high-definition cartography with Fishing Hot Spots® detail, or enhanced U.S. basemap. Two-year limited warranty.

- HDS-8 Insight USA (transducer sold separately) 000-0140-39**
- HDS-8 Insight USA, 83/200 kHz Skimmer® transducer 000-0140-07**
- HDS-8 Insight USA, 50/200 kHz Skimmer® transducer 000-0140-06**
- HDS-8 US Basemap, 83/200 kHz Skimmer® transducer 000-0140-09**

HDS-7

Fishfinder/GPS Chartplotter

HDS excellence in performance and viewing detail with large 6.4 in./16.3 cm, 480V x 640H pixel Full VGA color viewing. Exceptional HDS brilliance with SolarMAX™ PLUS display for superior sunlight and wider-angle viewing. Built-in Insight USA™ high-definition cartography with Fishing Hot Spots® detail, or enhanced U.S. basemap. Two-year limited warranty.

HDS-7 Insight USA (transducer sold separately) 000-0140-36

HDS-7 US Basemap (transducer sold separately) 000-0140-34

HDS-7 Insight USA, 83/200 kHz Skimmer® transducer 000-0140-12

HDS-7 Insight USA, 50/200 kHz Skimmer® transducer 000-0140-14

HDS-7 US Basemap, 83/200 kHz Skimmer® transducer 000-0140-05

NEW!

HDS-7 with StructureScan™ Sonar Imaging

HDS-7 Insight USA bundled with StructureScan™ Sonar Imaging system.

HDS-7 Insight LSS-BNDL 000-10321-001

HDS-7m Insight USA, GPS Chartplotter

000-0140-16



Shown with Insight USA cartography

HDS-5

Fishfinder/GPS Chartplotter

HDS definition in a popular space-saving size, with exclusive high-resolution 5 in./12.7 cm viewing. The 16 bit display is capable of rendering 65,000 colors with adjustable screen and keypad backlighting. Built-in inland Lake Insight™ or coastal Nautic Insight™ high-definition cartography with Fishing Hot Spots® detail, or enhanced U.S. basemap. Two-year limited warranty.

HDS-5 Lake Insight (transducer sold separately) 000-0140-30

HDS-5 Nautic Insight (transducer sold separately) 000-0140-31

HDS-5 US Basemap (transducer sold separately) 000-0140-32

HDS-5 Lake Insight, 83/200 kHz Skimmer® transducer 000-0140-19

HDS-5 Nautic Insight, 50/200 kHz Skimmer® transducer 000-0140-20

HDS-5 US Basemap, 83/200 kHz Skimmer® transducer 000-0140-21

HDS-5 with StructureScan™ Sonar Imaging

HDS-5 Lake Insight bundled with StructureScan™ Sonar Imaging system.

HDS-5 LSS-BNDL 000-00099-001

HDS-5m Nautic Insight™, GPS Chartplotter

000-0140-23



Shown with U.S. basemap water detail



HDS-5x Fishfinder

Lowrance Broadband Sounder™ sonar performance in a popular space-saving size, with exclusive high-resolution 5 in./12.7 cm SolarMAX™ viewing detail. 480x480-pixel resolution to maximize target definition and display brightness. Adjustable keypad and backlighting to match viewing conditions.

Plug-and-play compatible with Lowrance Ethernet and NMEA 2000® networks. Expandable for picture-like underwater viewing with optional LSS-1 StructureScan™ Sonar Imaging system.

HDS-5x (transducer sold separately)	000-0140-29
HDS-5x with 83/200 kHz Skimmer® transducer	000-0140-27
HDS-5x with 50/200 kHz Skimmer® transducer	000-0140-28



CHANGE YOUR VIEW.

Exclusive StructureScan™ Sonar Imaging Sees More. Reveals More. Does Much More.

Enjoy the highest level of structure- and fish-finding viewing clarity, with the first and only true, panoramic underwater imaging of fish, structure and terrain – left, right, and exclusively, straight down from your boat – with phenomenal picture-perfect detail.

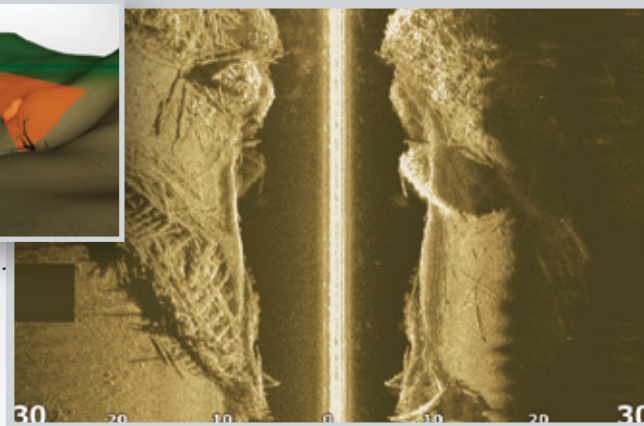
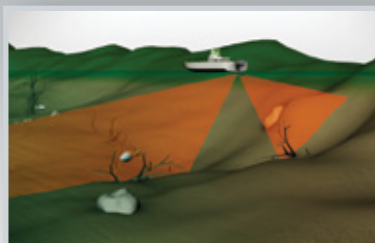


"Now, I can find the bait and structure others miss." – Skeet Reese

The Most Complete Structure And Fish-Finding Technology Ever Achieved.

SideScan Imaging

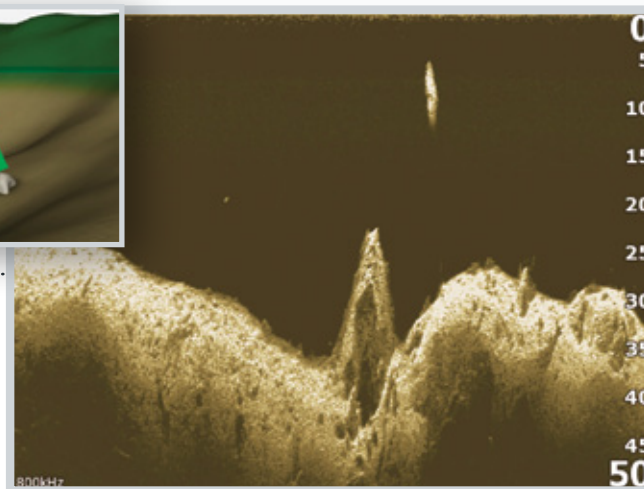
Crisp side-view dimensional detail, up to 500 ft./152 m wide, so you can survey more water in less time to find productive spots. Reveals targets and their scan shadows – structure, game fish and baitfish alike.



- Frequency:** 455 or 800 kHz
- Depth range:** to 150 ft./46 m
- Side range (each side):**
250 ft./76 m @455 kHz
150 ft./46 m @800 kHz
- Bottom tracking:** up to 35 mph/56 kph
- Mark baitfish-large objects:** up to 15 mph/24 kph
- Optimum imaging:** 2-10 mph /3-16 kph

Exclusive DownScan Imaging™

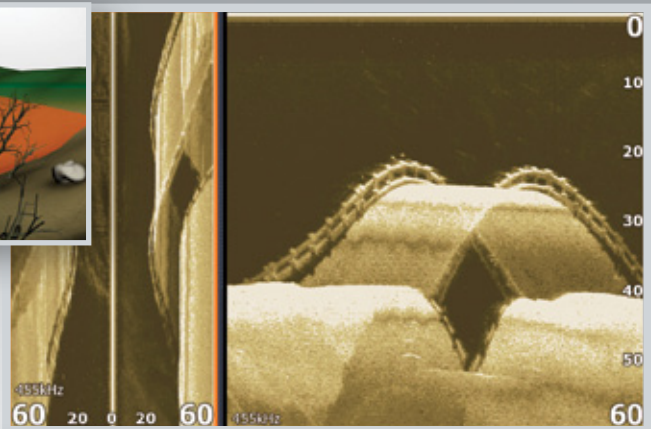
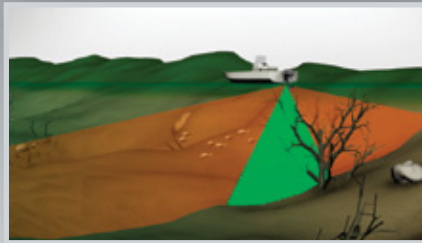
Lowrance innovation introduces another first to fishfinding, with a dedicated transducer crystal array for a sharp, accurate view of what's straight down under the boat. Structure, fish and thermoclines are revealed with stunning picture-quality perfection and accuracy – an exclusive Lowrance feature like no other.



- Frequency:** 455 or 800 kHz
- Depth range:**
300 ft./92 m @455 kHz
100 ft./30 m @800 kHz
- Bottom tracking:** up to 55 mph/88 kph
- Mark baitfish-large objects:** up to 35mph/56 kph
- Optimum imaging:** 2-10 mph/3-16 kph

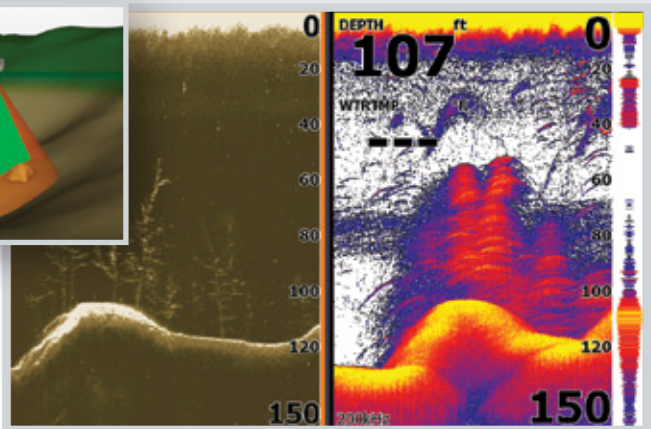
Full Panoramic Imaging

Yet another Lowrance first to help you fish better and smarter: SideScan plus DownScan Imaging™ displayed together for full panoramic underwater viewing detail... left, right, and straight down under the boat. You save time and fuel in locating productive spots. And you don't miss a thing.



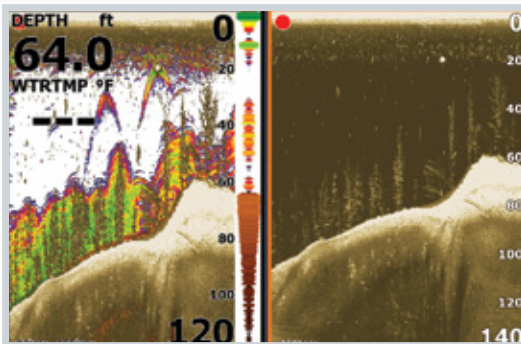
Exclusive Lowrance No-More-Guessing Tool DownScan Imaging™ with Broadband Sounder™

This dynamic duo of two original Lowrance innovations are unmatched for the most effective fish finding ever achieved that leaves no doubt. For example, DownScan Imaging™ confirms tree structure and shows potential fish, while built-in HDS Broadband Sounder™ digital sonar confirms fish as arches.



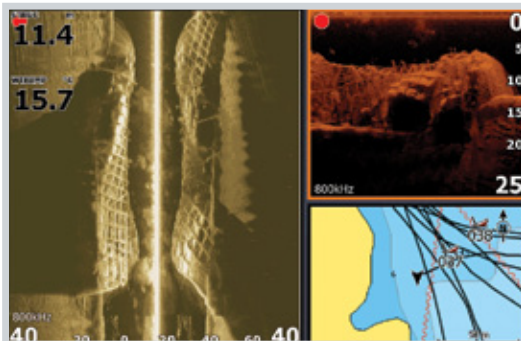
Plus, Exclusive DownScan Overlay™

The patent-pending merger of DownScan Imaging™ onto Broadband Sounder™ digital sonar in a single display clearly and distinctly separates and defines fish from bottom and structure at a glance.



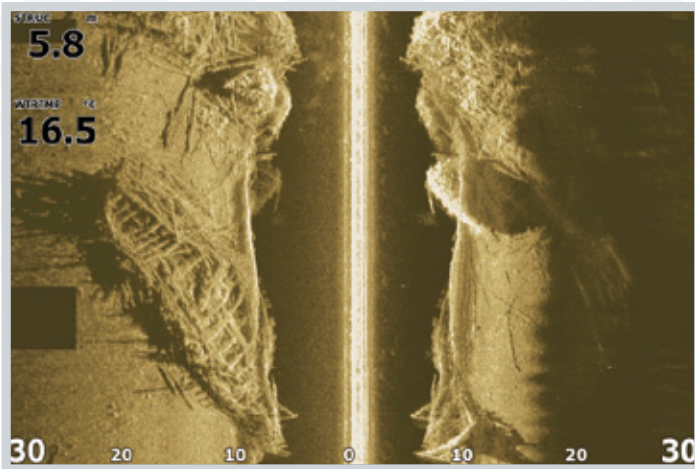
Synchronized TrackBack™ Tool

Simultaneous scroll-back in all fishfinder and chartplotter history displays is a time- and fuel-saving way to revisit covered water and easily set waypoints. When networked via Ethernet, waypoints set are automatically posted to all HDS models with chartplotting onboard.

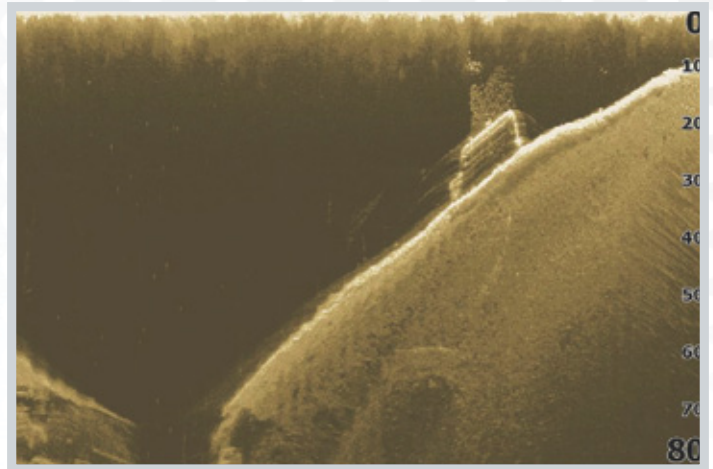


"With HDS and
StructureScan, I'm covering
more water faster."
— Pete Maina

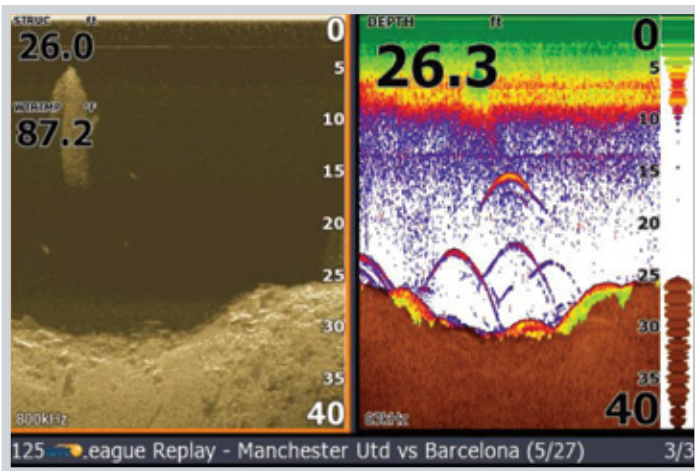




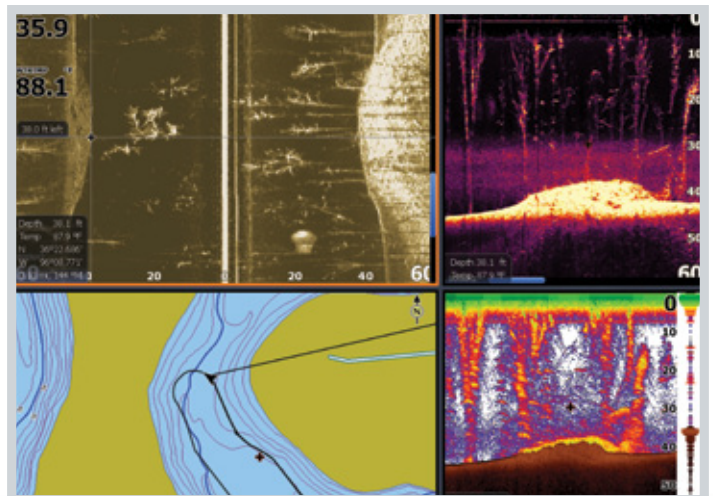
Advanced StructureScan technology produces incredible SideScan viewing dimension and detail like this skeleton of a sunken boat



Exclusive Lowrance DownScan Imaging™ presents an incredible, highly defined and refined picture for structure identification than sidescan imaging alone – as this submerged bus showing bait clustered above it.

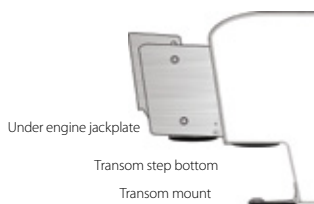


With StructureScan and HDS, you miss nothing in spotting productive fishing instantly. Here, DownScan Imaging™ (left) shows a baitfish cluster and dots of predators. Broadband Sounder™ sonar (right) exposes those game fish.



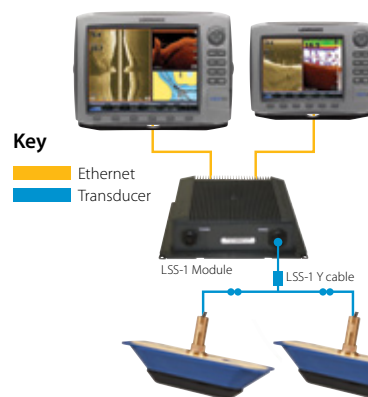
Add StructureScan™ Sonar Imaging to your HDS and get the whole picture with unique multi-window displays of imaging, sounder and chartplotter views in up to four-screen windows on HDS-8 and HDS-10 displays.

Transducers



External – rugged precision

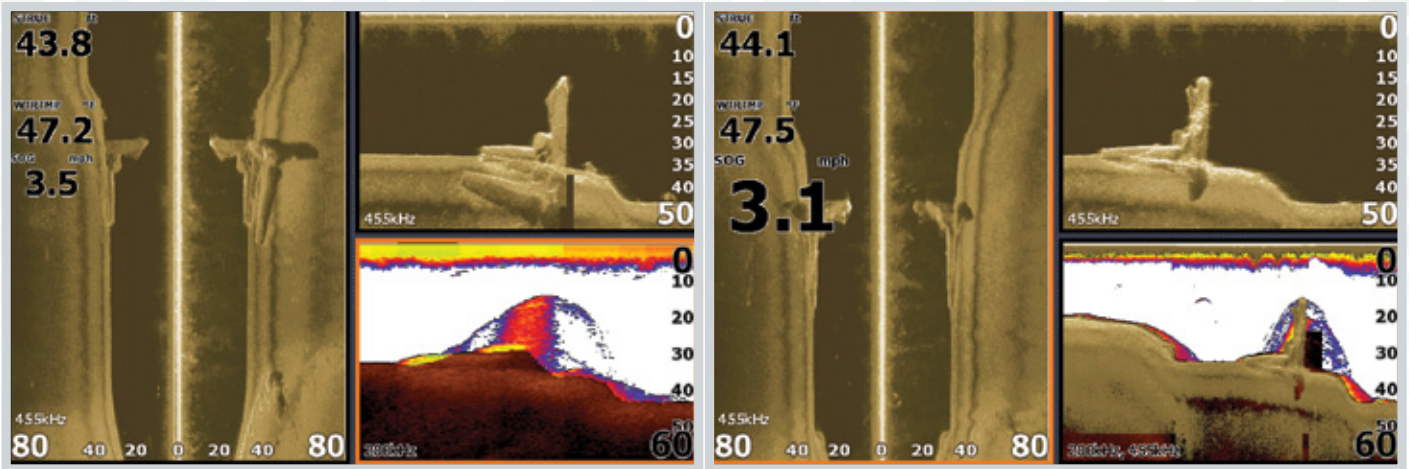
Extreme low-drag design offers mounting conveniences. Flush-mounts under engine jackplate or under the transom step. Transom-mounts via stainless-steel bracket with water hazard protection. Trolling-motor mounts with optional low-profile adapter bracket.



Thru-Hull Imaging

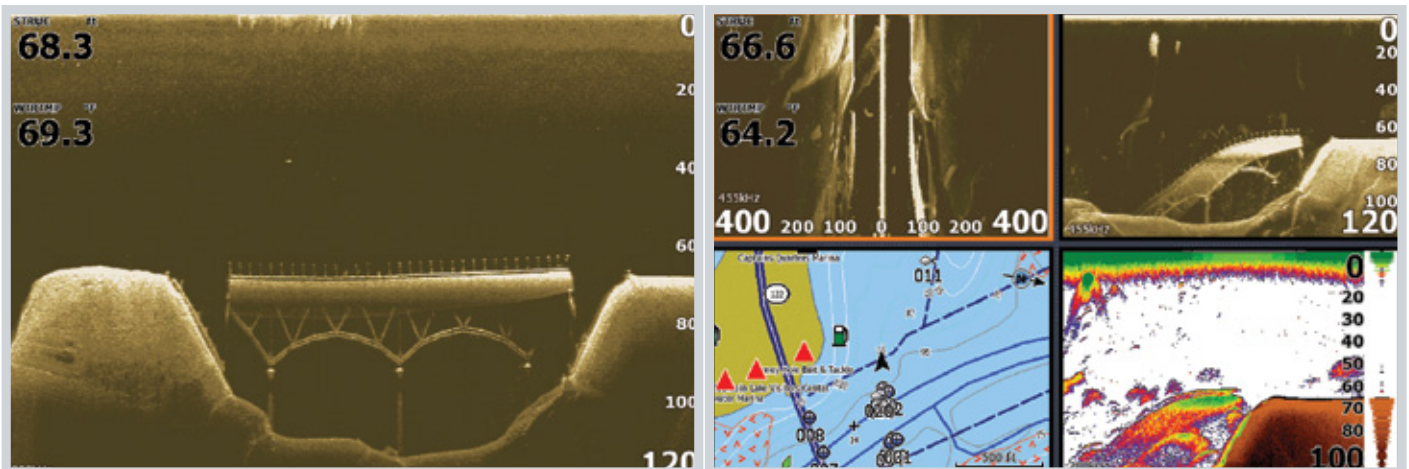
For hull-mounting bolt-thru-hull bronze and plastic transducer options are available for StructureScan™ Sonar Imaging. For boats with a greater deadrise, install two thru-hull transducers, connect them with the Y cable to a single LSS-1 StructureScan™ module, and enjoy panoramic Lowrance sonar imaging to the left, down and right of your boat.

Bronze and Plastic LSS-1 Thru-hull Imaging transducers available.



These screen shots of a sunken bridge support in a Montana lake clearly displays the difference DownScan Overlay™ can make. Compare the lower right sonar windows of each.

Without overlay (left), Broadband Sounder structure showing is excellent, but now well-defined. By adding DownScan (right) the structure – and – are clearly displayed.



StructureScan is already solving underwater mysteries as these screen shots from Smith Mountain Lake in Virginia show. Despite bathy metric studies and local legends to the contrary, StructureScan imaging proved a major bridge – covered by a lake-creating damming project in the 1960s – was still there.

Networking



Extended Networking

With one StructureScan™ module and imaging transducer system:

Share imaging and sounder transducers with up to three HDS onboard displays, each with display and function control.

With two StructureScan™ modules and transducers:

Bow trolling motor for precise Downscan Imaging™ without smear, even in the roughest water. Stern system for wider side-viewing surveys at console. Link both for any imaging display and control with any other HDS fishfinder or chartplotter.

Model

LSS-1 StructureScan™ Sonar Imaging system

LSS-1 StructureScan™ Sonar Imaging without imaging transducer

Part

000-0132-06

000-00099-002

Page 38 for transducer options and accessories

Insight HD Chartcard Options

True, Accurate and 4X Better Detail

Lowrance Insight HD chartcards present a powerful boating and fishing reference tool with four times better resolution for tighter zoom-in HDS screen detail than before.

Greater Depths Perception

With even higher-definition contour shaded relief, Insight HD chartcards display a striking look and feel for instant recognition and precise understanding of submerged topography at a glance. Quickly find fish-holding areas, while easily avoiding dangerous shallows just as fast. Depth contour lines detail are selectable on/off at the viewers discretion.

Fishing Guides Included

Besides charting, each Insight HD chartcard is fully loaded with detail and information for your fishing success, for both inland and coastal/offshore waters. From renowned names like Fishing Hot Spots® and Baja Directions™, you enjoy reliable, expert fishing tips and techniques, fishery guidance, marked fishing locations and much more to save you time and fuel in locating proven, productive waters.

Space to Save

Every Lowrance Insight HD chartcard comes with ample memory space to record sonar logs, screenshots, waypoints/routes/trails and HDS system settings without need for an additional SD memory card.

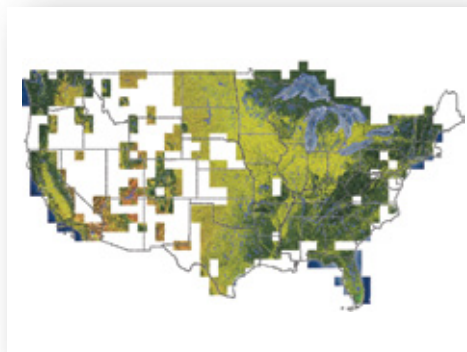
Premium Coverage Options

For wherever you take your HDS and your fishing gear in the U.S. or the Baja, Insight HD card options have you covered. Premium, high-detail choices that truly don't cost a premium.

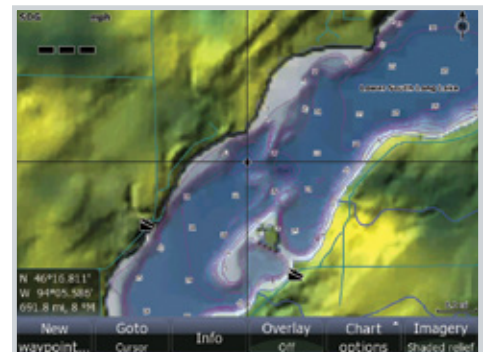
Lake Insight™ HD

Continental U.S. lakes, rivers and Great Lakes coverage on one chartcard. Exclusive Fishing Hot Spots® detail for over 500 popular lakes. Plus, over 5,000 lakes with enhanced shoreline detail and depth contours, along with 100,000+ named bodies of water.

Lake Insight HD 000-10039-001



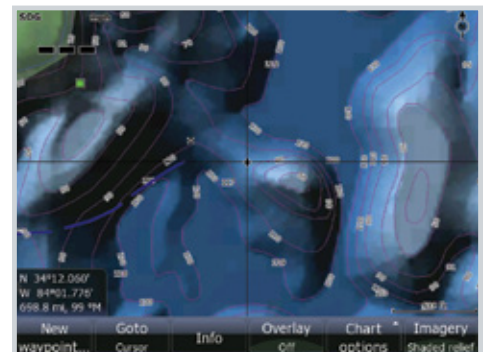
Lake Insight™ HD coverage.



Lake Insight™ HD – Lower South Long Lake, MN detail zoomed to 0.2 mi. showing.



Lake Insight HD – Supreme navigation and fishing guidance for Smith Mountain Lake with key Fishing Hot Spots® data.



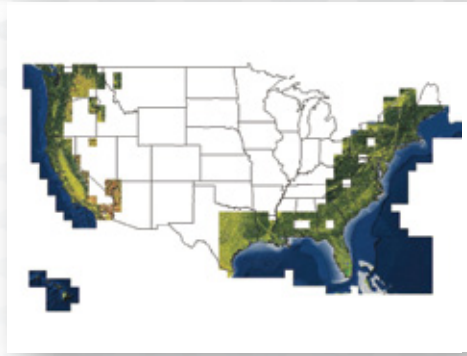
Lake Insight™ HD – Exquisite close-in detail of Lake Lanier with vital depth contour and other detail.

Nautic Insight™ HD

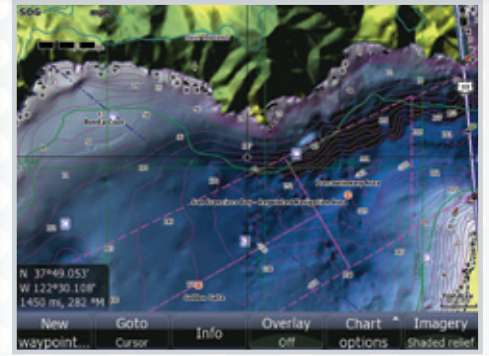
Two chartcard choices with superb U.S. coastal and offshore saltwater cartography. East: Maine to all of Texas. West: California to Washington plus Hawaii. Both feature Lake Insight™ HD inland detail within 100 miles of U.S. coast And Fishing Hot Spots® lake and coastal detail.

Nautic Insight™ HD East
000-10041-001

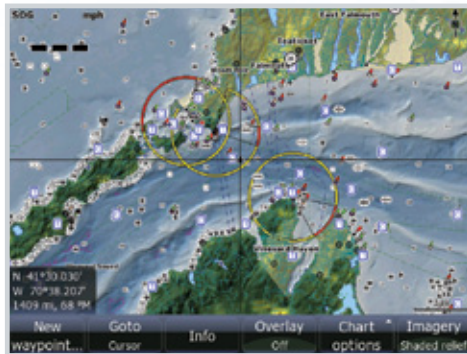
Nautic Insight™ HD West
000-10040-001



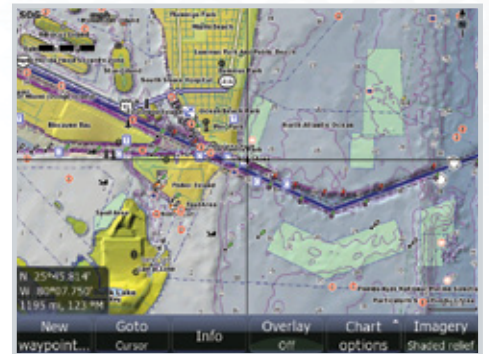
Complete coverage of offshore, coastal and inland waters up to 100 miles inshore.



Nautic Insight HD – Details with unique viewing dimension for navigating the entry or exit of San Francisco Bay.



Nautic Insight HD – Exceptional HDS view of Nantucket Sound with Tide, Current and other and other important navigation detail including the lay of the surrounding water and land.



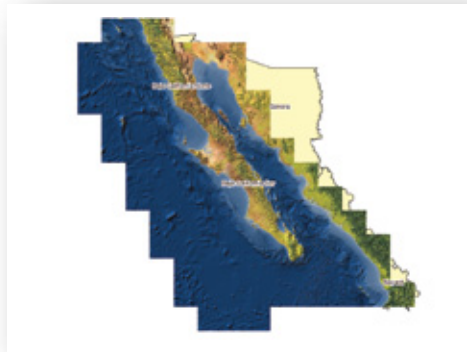
Nautic Insight HD – Helpful shaded relief, navigation aids and total water/land situational awareness shown for the Miami Beach Government Cut.

NEW!

Nautic Insight™ HD BAJA

Exclusive high-definition and high-detail electronic charting of the entire Baja peninsula from Baja Directions™, with exclusive fishing tips & techniques for thousands of marked fishing spots, plus contour shaded land relief from California to Cabo.

Nautic Insight™ HD Baja
000-10380-001



Coverage of offshore, coastal and 3D land imagery.



Portions of Northern Baja with high detail of both water and land.



Full detail from Baja across the Sea of Cortez to winter harbors and hurricane safe zones, map showing areas around Culiacan.



Perfect map for sailing around Bahía de los Ángeles, showing you all the camps and islands near to Bahía.

Lowrance HDS® gives you greater latitude in plug-and-play digital media cartography detail, coverage and choices with full Navionics® compatibility – the world's largest and most experienced provider in worldwide electronic marine charting.

TurboView™ – Powered Navigation

Embedded in every HDS chartplotter, TurboView™ greatly enhances the display of all Navionics® Platinum+ charting and HotMaps® Platinum Lake Maps charting for remarkable situational awareness. At your command is seamless zooming with fluid transition between 2D and 3D display modes, along with improved shadowing for greater depth perception, and real-time overlay of nav data on 3D contour profiles. Plus, a special FlyThru feature integrates high-speed chart panning and zooming with aerial photography for a new and helpful on-the-water perspective.

Coastal Platinum+

Experience the most advanced technology and best imaging available in multidimensional charting with TurboView™ display enhancements. Enjoy complete coastal pilot, high-resolution top-down photo/chart overlay, full-view panoramic pictures, remarkable 3D view and high-definition fishing detail included on the same chartcard.

Gold

Navionics® Gold electronic charts are a fundamental tool of coastal navigation, with features tuned for serious fishing and cruising that includes wrecks, port services enhancements and major coastal roads. Plus high-definition detail of near-shore and offshore structure, ledges and canyons vital to successful saltwater angling.

Lakes HotMaps® Platinum

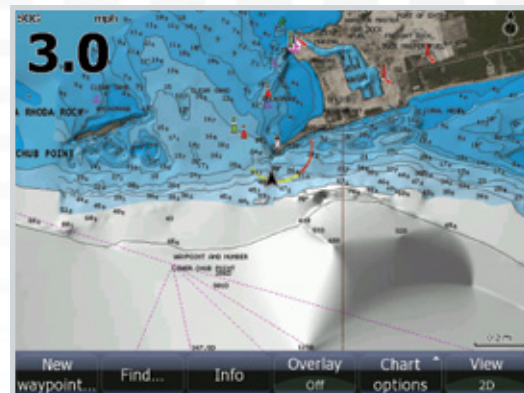
Featuring more than 17,000 total lake maps with complete fishing information for HDS, plus over 1,000 high-definition lake maps. Includes 3D viewing, panoramic lake photos, top-down satellite images, plus 1 ft. bottom contours from exclusive Navionics® on-water surveys. Choice of five huge U.S. and Canadian regions on mapcards and fully compatible with TurboView™ for enhanced HDS viewing and navigation.

HotMaps® Premium

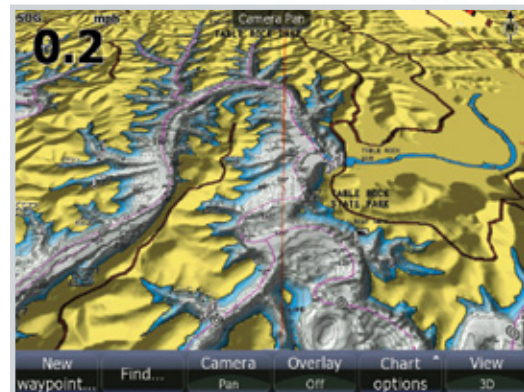
Includes over 17,000 total lake maps with complete fishing information for HDS, plus over 1,000 high-definition lake maps featuring exclusive 1 ft. bottom contours from Navionics® on-water surveys. Choice of 5 huge U.S. and Canadian regions mapcards, ready to use with HDS ... just plug-and-play and fish!

HDS also displays older Navionics® cartography on memory card. See www.navionics.com for compatibility listings.

www.navionics.com for more.



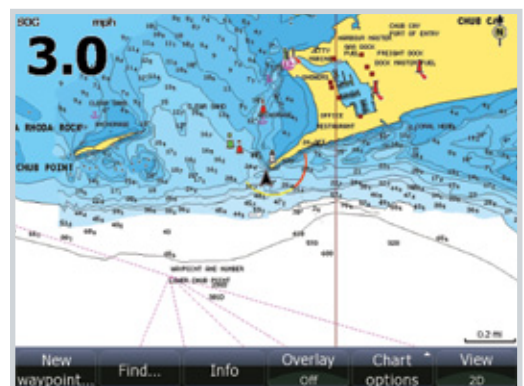
Navionics® Platinum+ 2D.



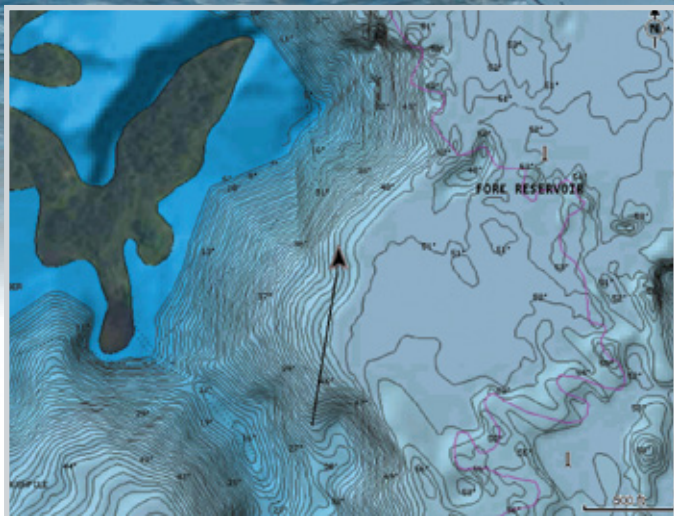
Navionics® Platinum+ 3D.



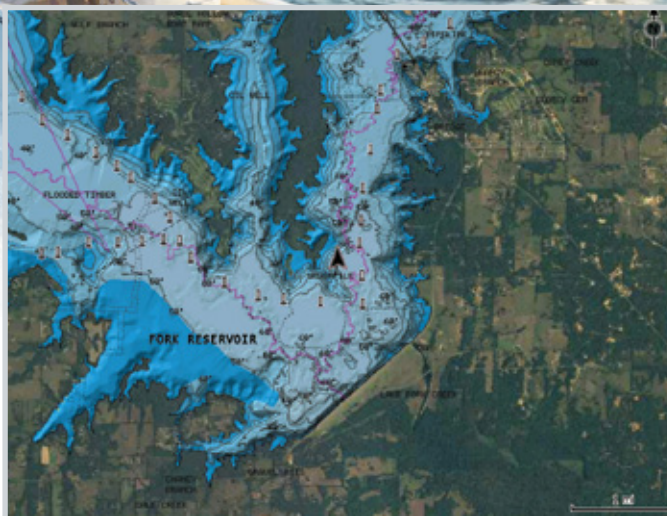
Navionics® Platinum+ 3D with satellite overlay.



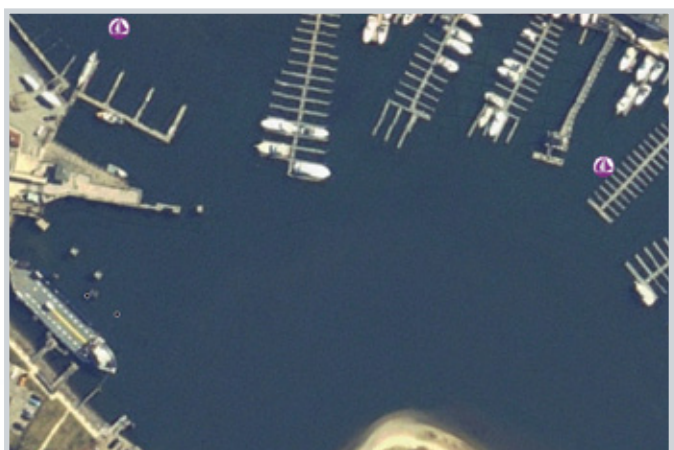
Navionics® Gold.



Navionics® HotMaps® Platinum.



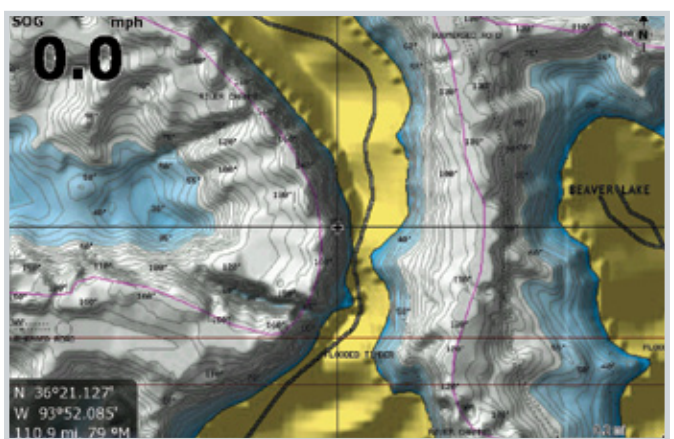
Navionics® HotMaps® Platinum.



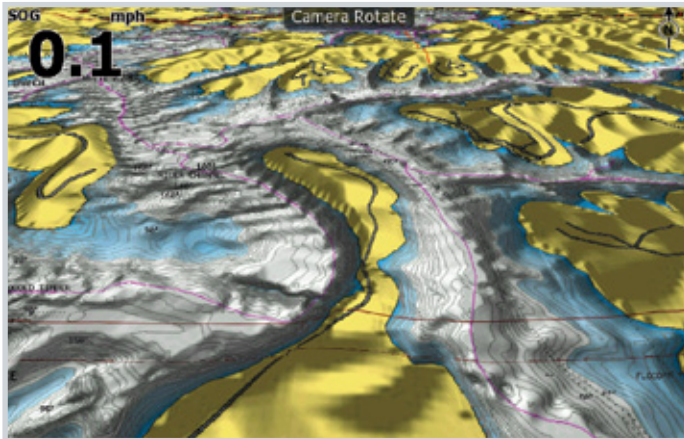
Navionics® Platinum+ Aerial View.



Navionics® Platinum+ 3D.



Navionics® Platinum+ 2D.



Navionics® Platinum+ 3D.



Superb Inland Lake Mapping Choices

LakeMaster®

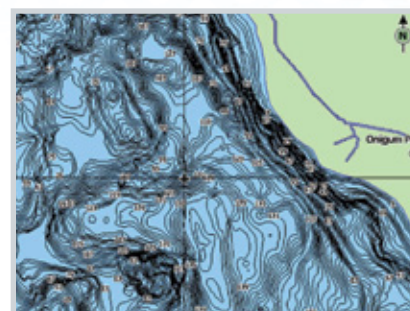
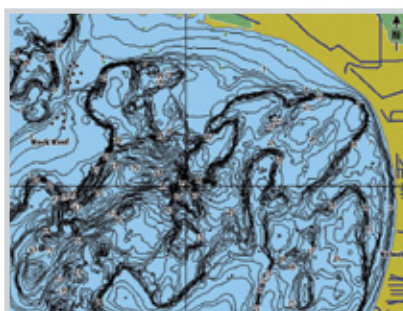
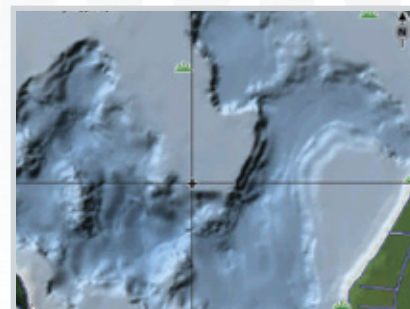
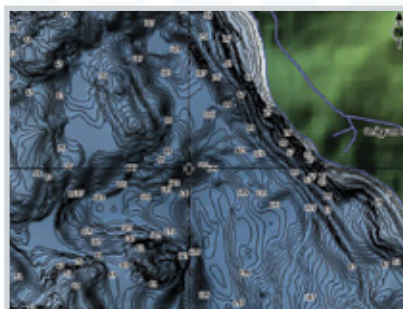
Powerful, detailed and accurate, LakeMaster® plug-and-play mapcards are a favorite of Lowrance-equipped anglers on-the-water and on-the-ice in the mid-north region of the U.S.

Renowned for their high-definition survey of key lakes, LakeMaster® includes highly detailed road mapping in each of their six mapcard regional selections: Illinois/Iowa, Michigan, Minnesota, North/South Dakota, Wisconsin and Lake of the Woods/Rainy Lake.

For HDS® and Endura™, LakeMaster® INSIGHT mapcards display easy-to-read 3D shaded relief – with or without depth contours – to quickly recognize prime fishing areas on the water, or on the ice.

For HDS®, Endura™, Elite™ and earlier GPS models, LakeMaster® Lowrance Legacy mapcards deliver high definition and detail in 2D displays.

For more on LakeMaster®, card/lakes listings and where to buy: www.lakemap.com

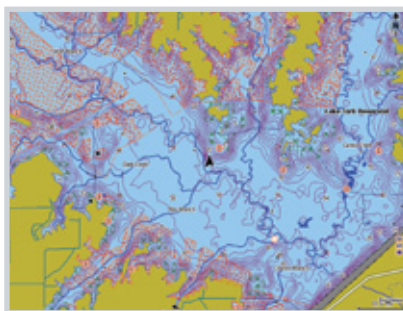


Fishing Hot Spots® PRO USA

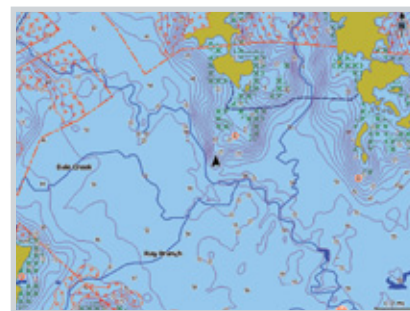
The ultimate anglers' digital map and fishing card, Fishing Hot Spots® Pro USA delivers more fishing information and map data than any other single chip. Nearly 4,500 Enhanced Lakes across the USA are available with detailed shorelines and depth contours. Premier fishing waters are complete with all of Fishing Hot Spots® own, extensively researched, Fishing Points of Interest, Lake Profiles and lake specific Fishing Tips & Techniques. All this, loaded on a single microSD card packaged with an adaptor to accommodate all Lowrance memory card slots.

Plug-and-play compatible with HDS®, Endura™, Elite™ and many earlier Lowrance models.

For more and where to buy: www.fishinghotspots.com



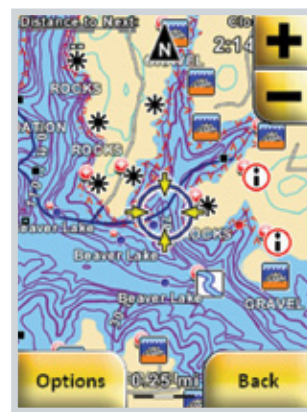
HDS



HDS



Elite



Endura

LWX-1 SIRIUS® Satellite Weather and Radio Module

HDS®
High Definition System



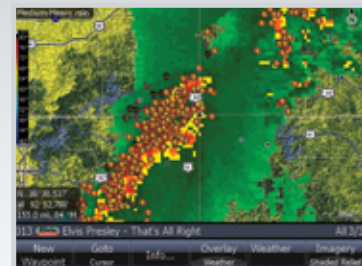
It's easy and smarter to enjoy much safer, and even more entertaining times, when on the water.

Just connect HDS® to the LWX-1 option with your choice of SIRIUS® subscriptions, and enjoy instant, accurate and the latest weather displays at your fingertips. So you can stay ahead of – and out of – the rain, or worse. With the greatest of definition and viewing detail.

Plus, add a SIRIUS® satellite radio subscription, and enjoy over 130 commercial-free channels of music, news, sports, family and other programming.

Key LWX-1 Features

- Easy to install, activate and use with any HDS model with chartplotting
- Plug-and-play Ethernet connection feeds weather to one, or more onboard HDS displays via NEP-2 Network Expansion Port option, each with independent display control
- Overlay SIRIUS® weather on any high-detail HDS chartplotter cartography display for greater weather-tracking awareness
- Low-profile weatherproof antenna for deck flush-mount or pole-mount ease
- Stereo audio output streams SIRIUS® satellite radio to an onboard sound system, like the Lowrance SonicHub™ marine audio server (see page 30)
- Saves and displays latest weather data up to 30 minutes after boat power-down, as when refueling



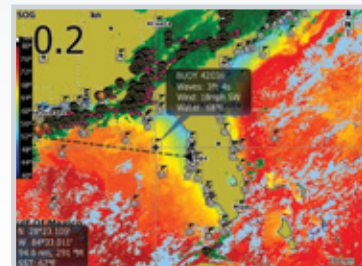
Inland SIRIUS® NOWrad® weather radar with lightning strike indicators

Exclusive SIRIUS® Marine Weather

Plan trips using advanced forecasts. See clear skies and fair weather behind squall lines. Avoid dangerous lightning and storm cells. Maximize your fishing time with wind/isobar forecasts and sea surface temperature displays. Get NOAA marine forecasts and warning on demand. Enjoy retail roadside fuel pricing by location. And much more.

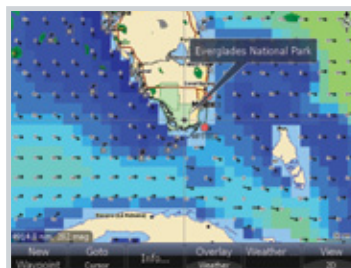
Only the Lowrance LWX-1 module comes with an exclusive selection of SIRIUS® subscription package options for wherever you live, fish or boat in the U.S. That includes nationwide, regional and local conditions/forecasts for inland natural lakes, reservoirs and rivers, to expansive Great Lakes and coastal waters.

For details on SIRIUS® Inland Weather, plus Mariner Weather and Voyager Weather coastal packages, and SIRIUS® Satellite Radio, go to www.sirius.com/marineweather

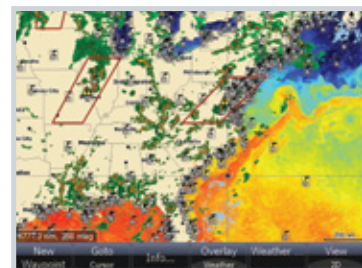


Sea Surface Temperatures with coastal NOWrad® weather radar

Model	Part
LWX-1	000-0022-46
Accessories	Part
NEP-2 Ethernet expansion port	000-10029-001
Ethernet Network Cables	
ETHEXT-6YL 6 ft./1.8 m	000-0127-51
ETHEXT-15YL 15 ft./4.5 m	000-0127-29
ETHEXT-25YL 25 ft./7.6 m	000-0127-30
ETHEXT-50YL 50 ft./15 m	000-0127-37



Colored wave-height indicator with wave arrows



Sea Surface Temperatures with NOWrad® weather radar and severe-weather watch boxes

SIRIUS® subscription and fees are additional to LWX-1 receiver/antenna purchase, and restricted to U.S. billing addresses only.

Broadband 3G™ Radar

NEW
FOR 2011.5

The new Lowrance Broadband 3G™ Radar for HDS goes more than the extra nautical mile, now with 30% more range! Featuring Frequency Modulated Continuous Wave (FMCW) technology, Lowrance Broadband Radar innovation delivers superior target detection and viewing separation, ease of operation, and higher level of navigational peace-of-mind. With zero radiation hazard, it's the safest choice for more boats, including fishing, sports/cruising and sail boats.



Broadband 3G™ Radar Innovation

InstantOn™

Solid-state technology produces an immediate, accurate on-screen image, without the lengthy warm-up delay of magnetron pulse radars.

Low Power Consumption

Ideal for boats of any size – sail, cruise or fish.

Automatic Clarity

Proven automatic harbor/marina and offshore modes.

MARPA Target Tracking

Track up to 10 targets. Requires a heading sensor.*

Radar/Chart Overlay

Merges radar with cartography in a detail-rich display.*

Crystal-Clear Image

Fantastic for tight maneuvers in marinas or in conditions of limited visibility.

Quick Installation

No reason to open the dome, no tune or zero-mile adjustment, and no radar-licensed technician required.

Safe - Extremely Low Emissions

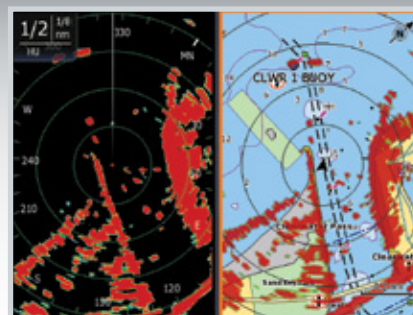
Safer than any other radar currently on the market and emitting less radiation than a mobile phone – so it can be mounted anywhere.

High-Speed Mode

Select 36 RPM for almost instant updating at less than 2 nm.

Dual Guard Zones

Protect yourself from more angles.



Broadband Radar with radar chart overlay clearly defines objects inside and outside this channel pass. Contrasting radar with charting provides easy and quick comparison – any radar target not seen on the chart would normally be other vessels. Such detail makes Broadband Radar a great aid to navigation, especially when visibility is restricted at night or in poor weather.*



Truly Different Technology

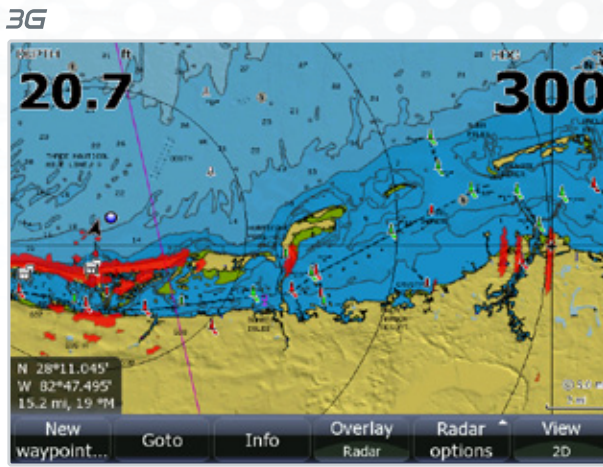
It's the first and only radiation-free radar that safely goes where no other has gone before ... on more sailboats ... on more cruisers ... even on bass boats. In 2011, Lowrance Broadband Radar™ made its first Bassmaster Classic appearance, as competitors avoided hazards and saved time while navigating more than 70 miles through the Louisiana Delta.

Model	Part
Broadband 3G™ Radar with 33 ft./10 m scanner cable and 6.5 ft./2 m Ethernet adapter	000-10418-001
Accessories for MARPA and Radar/Chart Overlay display	Part
RC42 Rate Gyro Fluxgate Compass, includes 16 ft./5m SimNet NMEA 2000® cable	22090195
R110 waterproof interface junction box provides heading input to NMEA 2000® network	AA010189
Also required: Adapter Kit connects heading sensor to network, with SimNet-to-NMEA 2000® male adapter, SimNet-2 joiner, T connector	000-0127-45

* Optional accessories required for feature except with HDS-5x – chart overlay/MARPA not available.

New Broadband 3G™ Radar. Unrivalled target separation and detection near and farther – with 30% more range. The safest choice for more boats.

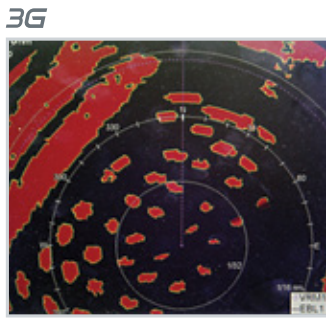
Long Range



A medium-sized power station is easily seen at 15nm

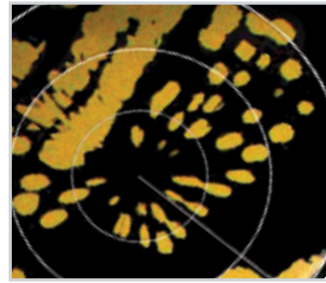
Harbor / Marina

- Boats and docks separated with superior target definition



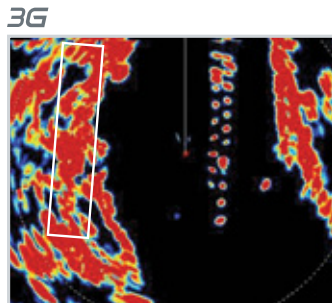
Superior short-range target discrimination clearly shows docks, boats and moored vessels.

4kW Pulse Radar



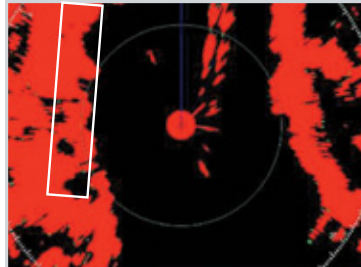
Inferior separation of boats, docks and other features, further obscured by "main bang" (where it matters most) closest to the vessel.

Pile Moorings



Broadband Radar™ clearly shows staggered mooring poles, differentiating moored vessel.

4kW Pulse Radar



Poles and vessel are less defined on pulse radar display.

High Definition Digital Radar

Advanced Lowrance digital-signal processing in high-definition radar choices for HDS® chartplotter models. Fast, detailed radar detection of even small and distant targets with superb accuracy in dark, fog and rain alike. All feature Ethernet networking for onboard radar display sharing.

HD Digital Radar Features

MARPA Multi-Target Tracking

Acquisition and precise tracking of up to 10 targets from ¼ nm display range and greater for an added measure of collision-avoidance safety.*

Guard Zones

Easy-to-set single or dual guard zones with alarms alert you to targets entering or leaving your designated zones –boats, land masses and buoys.

Radar/Chart Overlay

Interfaces charts with radar scans in a detail-rich display for greater navigation situational awareness.*

Clearest Viewing

Automatic Tune, Gain and Sea Clutter adjustment.

Smart STC

Digital Sensitivity Time Control curves reject clutter with setting of return strength/distance thresholds.

Color Recognition

Color palette choices for improved target distinction based on viewing conditions.



LRA-1800 Radome

- 2 kW, 18in./46 cm scanner w/2 kW processor
- 5.2° horizontal beamwidth, 25° vertical beamwidth
- Up to 24 nm range



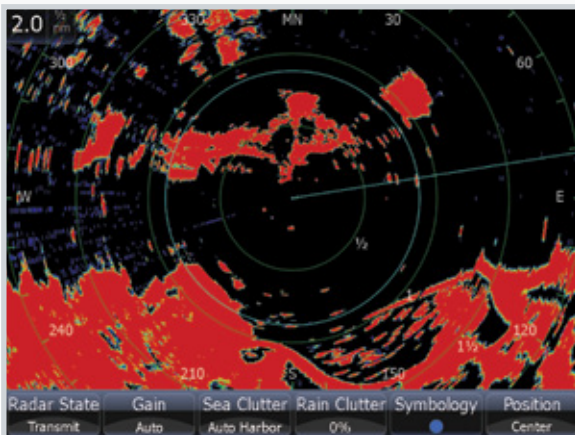
LRA-2400 Radome

- 4 kW, 24 in./61 cm scanner w/4 kW processor
- 4° horizontal beamwidth, 25° vertical beamwidth
- Up to 48 nm range

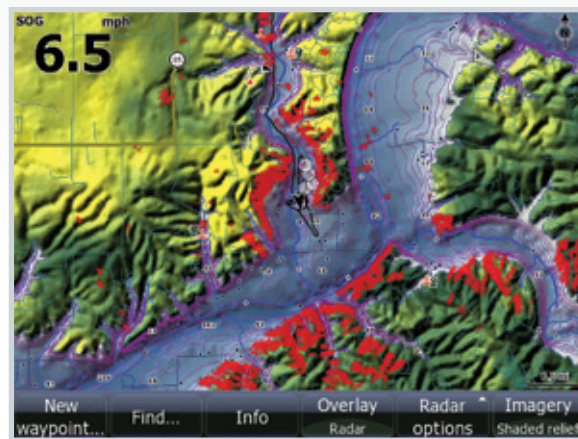


Simrad TX06L-1 Array for HDS

- 6 kW, 4 ft./1.28 m. scanner w/6 kW processor
- 1.8° horizontal beamwidth, 20° vertical beamwidth
- Up to 72 nm range



HDS high-definition radar display.



Radar chart overlay display.*

Model	Part
LRA-1800 for HDS	000-0121-38
LRA-2400 for HDS	000-0121-39
TX06L-1 for HDS	000-10366-000

Accessories	Part
NMEA 2000® heading sensor option required for MARPA and Radar/Chart Overlay	
RC42 Rate Gyro Fluxgate Compass, includes 16 ft./5m SimNet NMEA 2000® cable and RI10 interface	22090195
Also required: Adapter Kit connects heading sensor to network, with SimNet-to-NMEA 2000® male adapter, SimNet-2 joiner, T connector	000-0127-45

*Requires optional RC42 Rate Gyro Fluxgate Compass except HDS-5x – chart overlay/MARPA features not available.



SonicHub™ Marine Entertainment

All-New Lowrance Technology to

ROCK YOUR BOAT™



Waterproof Audio Hub



Waterproof Docking Station

The world's first marine-grade, waterproof audio hub/docking system with the convenience of total control using any HDS® multifunction display.

On the water, SonicHub™ provides a direct link to your music collection on your iPhone®, iPod®, iPod® touch and MP3s on a USB stick (up to 16GB), without a stereo head unit. You can also catch the latest weather, news, or listen to your favorite radio show with the built in AM/FM tuner (antenna sold separately).

Featuring a high-power, four-channel amplifier with 50W per channel, SonicHub™ delivers a sensational sound and audio content control experience. Easy to install, SonicHub™ integrates seamlessly via NMEA 2000® with Lowrance HDS® high-resolution, color displays featuring an intuitive and stylish graphical control interface.

Enjoy the pleasure of high-quality sound with an innovative system specifically designed for the challenging marine environment. The unique docking station provides a safe and waterproof casing, protecting your audio content device from the elements.



Stylish speaker package

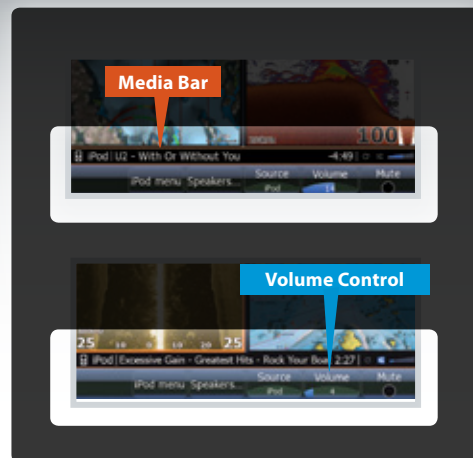
The Lowrance SonicHub™ system includes two stylish, waterproof marine-grade 6.5 in. high power 200W low-magnetic speakers for the ultimate in music on the move. Plus, with additional speaker set and subwoofer options, Lowrance SonicHub™ delivers maximum-performance multimedia audio for a minimal price.



Model

Part

Lowrance SonicHub™ -- server, dock, two speakers, power/network connection cables	000-10141-001
NMEA 2000® starter kit (not required for existing networks)	000-0124-69
Lowrance speaker pack – two 6.5 in. waterproof marine speakers	000-10142-001



ROCK
YOUR
BOAT™

sonic hub™
marine audio server

NMEA 2000® Networking

Higher Standards of Performance for the NMEA Standard

Compatible with all qualified NMEA 2000® networks, Lowrance components set the standard for exceptional precision and real-time data delivery that's vital to navigation, onboard system tracking, and especially, outboard engine monitoring for improved fuel management.

LGC-4000 5Hz High-Speed GPS Receiver

When connected with HDS®, this high-sensitivity external GPS receiver/antenna delivers phenomenal accuracy with five-time-per-second satellite updates for the most precise location readings on water – even at the highest boat speeds – with greatly improved satellite signal fix to virtually eliminate track wandering.

Compact 3 in./75 mm diameter module is just 1.3 in./ 33 mm high, easy to flush-mount and fully waterproof for all marine environments.



Model

LGC-4000 5Hz GPS Antenna

Part

000-0125-28

Airmar® DST800

Thru-Hull Depth-Speed-Temperature Sensor

Compact, retractable plastic TRIDUCER® multisensor transmits digital depth-speed-temperature readings to any NMEA 2000® network display. Wide fore-aft 10°x40° fan-shaped beam marks bottom depths to 330 ft./100 m even on high-deadrise hulls and sailboats when heeled. Features 235 kHz frequency to prevent cross-talk interference with other vessel echosounders. Single 2 in./ 51 mm hole thru-hull mounting.



Model

DST800

Part

22098479

NAIS-300 Class B AIS System

Greatly reduce the risk of collisions with the NAIS-300 AIS (Automatic Identification System) for your HDS chartplotter on the NMEA 2000® network. This Class B Transponder transmits your position and other information about your boat. In turn, you receive the same from other AIS-equipped vessels in the area, so you can view their position, identity and movement on your HDS display. A vital safety component for seeing and being seen, especially concerning congested ports and shipping lanes.



Model

NAIS-300L Class B AIS with NMEA 2000® interface and GPS antenna

Part

000-0135-04

RC42 Rate Compass

NMEA 2000® heading sensor for use with Lowrance Broadband Radar™ and HD Digital radar to enable MARPA and radar/chart overlay for HDS chartplotter-equipped displays. Includes 16 ft./5 m SimNet NMEA 2000® cable and RI10 interface. Also requires connector Adaptor Kit.



Model

RC42 Rate Compass

Adaptor Kit

Part

22090195

00-0127-45

NMEA 2000® Starter Kit

Easily start a NMEA 2000® onboard network, that's simple to expand for future sensor and display add-ons. Includes two T-connectors, 2 ft./0.6 m and 15 ft./ 4.5 m network cables, two terminating resistors and network power cable.

LMF Multi-Function Gauges

NMEA 2000® in-dash digital gauge displays provide precision and versatility in real-time delivery of vessel and engine data, and are supported by the most extensive choices of affordable Lowrance EP smart sensors, including Fuel Flow for optimum fuel management economies.

- User-custom screens of up to four different data readings in analog graphics or alpha/numeric
- 13 customizable screen types, up to 16 page views in static, manual and timer screen rotation
- Displays Imperial or metric fuel economy readings using EP-60R Fuel Flow sensor and speed sensor: EP70R Speed, EP90R Pressure or speed over ground from GPS

LMF-400 In-Dash Gauge

- 2.5 in./ 6.4 cm 132x132 pixel Film SuperTwist 4-level grayscale display, superb viewing in direct sunlight
- Advanced white LED screen backlighting
- Sealed and waterproof to IPX-7
- Fits standard 3-3/8 in./ 86 mm dia. hole



LMF-200 In-Dash Gauge

- 1.4 in./ 3.6 cm 65x65 pixel Film SuperTwist 4-level grayscale display, superb viewing in direct sunlight
- Advanced white LED screen backlighting
- Sealed and waterproof to IPX-7
- Fits standard 2-1/8 in./55 mm dia. hole



Model

LMF-400

LMF-200

Part

000-0049-541

000-0049-551



NMEA 2000® Network Sensors

Lowrance offers the most NMEA 2000® sensors for vital vessel data monitoring, each with a built-in “smart module” that’s fully programmable for greater accuracy in dedicated system sensor data delivery.

EP-60R Fuel Flow

Configurable, for gasoline only, one per engine. Sapphire bearing technology extends life and increases accuracy even at low flow. Outputs Fuel Flow, Fuel Used, Trip Fuel Used and Seasonal Fuel Used data to the network for fuel management.

EP-65R Fluid Level

Compatible with standard U.S. and European sending units and a range of fluids: fuel; fresh, waste or black water; live well; and oil. Allows calibration for more accurate fluid level readings for boats with odd-shaped tanks.

EP-80R Temperature

Configurable sensor for surface water, livewell, baitwell, cabin and engine room temp readings, -4° to 176°F./-20°C to 80°C

EP-80R TH Temperature

Configurable surface-water temp sensor for thru-hull installation.

EP-85R Storage Device

Accumulates and stores real-time engine data of fuel flow messages for up to three engines connected to a NMEA 2000® network for fuel range calculations and display.

EP-90R Pressure

Outputs pitot speed or engine pressure readings – boost, coolant, fuel, engine or transmission oil. 100 psi max.

EP-70R Speed

Paddle wheel for speed and distance display.

Engine Interface Sensors

Cabled sensors for top outboard motor brands connect to NMEA 2000® networks for engine data display. Includes interface sensor, 15 ft./4.5 m cable and network bus T connector.

HDS® Networks With Mercury®

HDS is fully compatible with the SmartCraft™ MercMonitor to display vital engine data – RPM, voltage, pressures, temperatures, fuel flow and more – for greater power efficiencies via the NMEA 2000® network. MercMonitor compatible with select Mercury, MerCruiser and Mariner engines.

Model	Part
NMEA® 2000 Starter Kit	000-0124-69
EP-60R Fuel Flow sensor	000-0120-39
EP-65R Fluid Level sensor	000-0120-41
EP-70R Speed sensor	000-0120-49
EP-80R Temperature sensor	000-0120-51
EP-80R TH Thru-hull Temperature sensor	000-0120-53
EP-85R Storage Device	000-0120-73
EP-90R Pressure sensor	000-0120-29
Evinrude engine interface	000-0120-62
Yamaha engine interface	000-0120-37

Suzuki engine interface available from Suzuki
Honda engine interface available from Honda



Lowrance HDS connects with a full range of high-sensitivity transducers to suit your boat, your preference and your expectations for superior performance in fishing and bottom sounding, at virtually any depth.

Transom-Mount Skimmer® Transducers

High-speed Skimmer® transom-mount transducers slice through water without sonar-interfering bubbles for ideal sounding performance and cleanest sounder returns, even at speeds up to 61 kts/70 mph. Ideal for aluminium- and steel-hull vessels, each have a built-in sensor for water-temp readings, plus a unique "kick-up" transom-mount bracket helps prevent accidental strike damage.

83/200 kHz Skimmer®

Ideal for inland freshwater and in-shore coastal saltwater angling with up to 120° of wider fish detection coverage at 83 kHz operation. Also for shoot-thru sounding (without temp readings) on fiberglass hulls with proper installation.

50/200 kHz Skimmer®

For deeper salt water or downrigger tracking with built-in temp sensor. Not for shoot-thru-hull use.

83/200 kHz Skimmer® Portable

For go-anywhere HDS fishfinder portability with easy-mounting suction-cup bracket, built-in temp sensor and up to 120° coverage. Not for high-speed use.



83/200 kHz Pod Transducers

Expanded underwater coverage with the versatility of trolling motor mount, or shoot-thru operation on solid fiberglass hulls. Contour curve top and slot for hose clamp simplifies motor-mounting. Available with or without built-in temp sensor.





Deep-Sounding HDS Transducers

Lowrance HDS is fully compatible with a wide selection of Airmar® transducers made for ultimate deep-sounding performance while reducing or eliminating drag.

P79 In-Hull – 50/200 kHz, 600W RMS

Easily adjusts to hull deadrise angles up to 22° to ensure the beam is correctly oriented for accurate depth readings. The base is bonded to the hull and filled with liquid, and the transducer then attaches to the base with a twist lock. The sound waves travel more efficiently through the liquid, giving the best possible performance.



P319 Thru-Hull – 50/200 kHz, 600W RMS

Features a 50/200 kHz, dual-frequency, single-ceramic element in a low-profile housing. Plastic, bronze or stainless-steel models are available to accommodate all hull types with a flush design that minimizes drag.



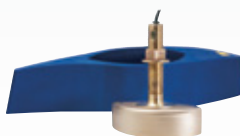
B164 Thru-Hull – 50/200 kHz, 1 kW RMS

Tilted Element™ technology lets you step up to higher 1kW power without a fairing in this 20° tilt transducer. Flush mounted with less than .25"/6.35 mm hull exposure, it can sit on trailer rollers and bunks with no damage at all. Perfect for fast, trailered tournament sport fishing vessels who cannot have a high-performance fairing, the internal tilted ceramic array focuses the perfect vertical beam with maximum energy directly below your boat.



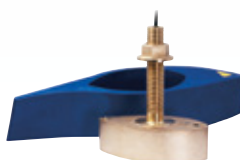
B258 Thru-Hull – 50/200 kHz, 1 kW RMS

Excellent sportfishing performance for a moderately priced 1 kW transducer. The economical, four-ceramic element design provides deep water sounding with superb target and bottom definition. The Airmar® high-performance fairing block is recommended for the best possible results.



B260 Thru-Hull – 50/200 kHz, 1 kW RMS

One of the best high-performing 1 kW bronze thru-hull for 300 W to 1 kW fishfinders. Separate 50 kHz and 200 kHz elements for unparalleled deep-water performance and unmatched bottom and water column detail. Provides crisp image detail for fishing shelves, intricate bottom structures and wrecks.



M260 Thru-Hull – 50/200 kHz, 1 kW RMS

A high performance model for 300 W-1 kW fishfinders with separate 50 kHz and 200 kHz elements for excellent deep-water performance and exceptional bottom and water column detail. Designed for bow stern or port starboard in-hull mounting, the narrow beam provides crisp image detail especially suited for fishing shelves, intricate bottom structures and wrecks with precise readings even at boat speeds above 20 knots.



B60 In-Hull – 50/200 kHz, 600W RMS

The bronze B60-20° tilt provides a vertical beam without a fairing. An internal ceramic element is tilted to provide built-in deadrise compensation providing excellent sonar returns for more accurate depth readings. The nearly flush housing minimizes drag.



B744 Thru-Hull – 50/200 kHz, 600W RMS

Drill only one hole in your boat with this TRIDUCER® multisensor model that features depth, speed, and temperature in a single housing. Single ceramic 50/200 kHz dual-frequency element for excellent shallow water sonar detail and deep water bottom tracking. Extended stem length provides extra height for steep deadrise vessels or thick cored hulls.



TM260 Transom Mount – 50/200 kHz, 1 kW RMS

Powerful yet sensitive, the new TM260 offers the performance of the B260 in a high-speed broadband transom mount for crystal-clear imaging. The large 200 kHz element plus the seven-element 50 kHz array deliver excellence in suspended bait and game fish separation, as well as marking fish holding tight on the bottom. Easy to install with a streamlined designed for high-speed sounding up to 30 knots/35 mph.



DST-800 Thru-Hull – 235 kHz TRIDUCER®

Transmits digital depth, speed and temp to all networked NMEA 2000® displays.



Airmar® HDS Transducers*	Part
TM260 Plastic 50/200 kHz high-speed transom mount with temp sensor, 19/6° beamwidths	000-10116-001
P319 Plastic 50/200 kHz low profile bolt-thru-hull with temp sensor, 45/12° beamwidths	000-0136-02
P79 Plastic 50/200 kHz shoot-thru-hull w/o temp sensor, 45/12° beamwidths	000-0136-03
B60 Bronze 50/200 kHz low profile bolt-thru-hull with temp sensor, 45/12° beamwidths and 20° tilt	000-00021-001
B744V Bronze 50/200 kHz bolt-thru-hull with speed and temp sensors, 45/12° beamwidths and high-speed fairing block	000-0136-05
B164 Bronze 50/200 kHz low profile 1 kW bolt-thru-hull with temp sensor, 22/20° - 6/6° array beamwidths and 20° tilt	000-10247-001
B258 Bronze 50/200 kHz bolt-thru-hull with temp sensor, 15/21° - 3/5° array beamwidths and high-speed fairing block	000-0136-00
B260 Bronze 50/200 kHz bolt-thru-hull with temp sensor, 19/6° beamwidths and high-speed fairing block	000-0106-82
M260 Plastic 50/200 kHz shoot-thru-hull tank-type, 19/6° beamwidths	000-0106-91
DST-800 Plastic 235 kHz retractable bolt-thru-hull NMEA 2000® depth/speed/temp triducer	22098479

*with 39 ft/ 12 m cables

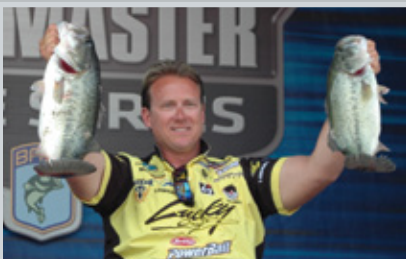
Wired to Win – Lowrance Pros

Follow the Leader in Fishfinding

See us on Stage ...

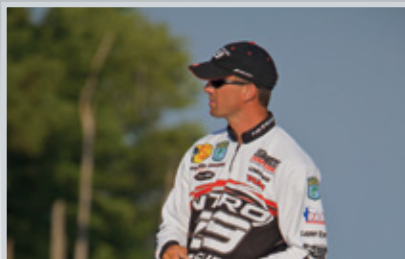
The No. 1 choice – year after year – on bass- and walleye-tournament circuits, Lowrance wins more events and delivers more top-place finishes than any other marine-electronics company.

Just a few of our Lowrance Pro Team members include



Skeet Reese

B.A.S.S. Elite angler, six-time B.A.S.S. tournament winner, Bassmaster Classic Champion



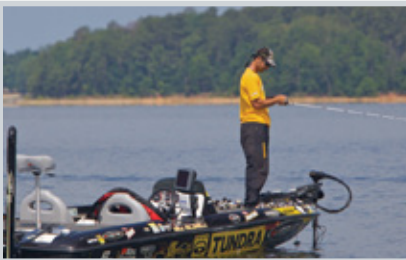
Edwin Evers

B.A.S.S. Elite and FLW Tour angler and five-time B.A.S.S. tournament winner



Gary Parsons

Three-time "Angler Of The Year" in three professional walleye tournament circuits



Michael Iaconelli

B.A.S.S. Elite and FLW angler, six-time B.A.S.S. tournament winner, Bassmaster Classic Champion



Mike McClelland

B.A.S.S. Elite angler and six-time B.A.S.S. tournament winner



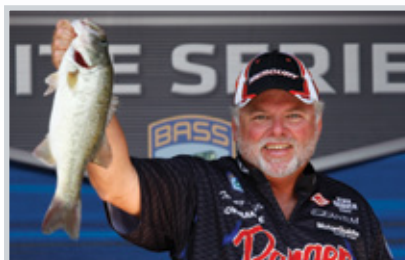
Keith Kavajecz

Professional walleye tournament champion and 18-time qualifier.



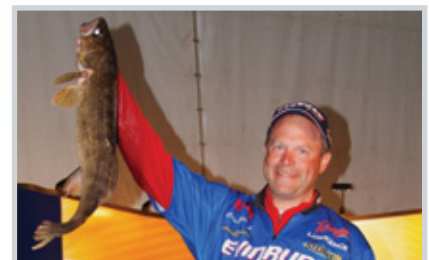
Greg Hackney

B.A.S.S. Elite and FLW angler, three-time B.A.S.S. tournament winner and FLW Cup Champion



Tommy Biffle

B.A.S.S. Elite and FLW Tour angler and five-time B.A.S.S. tournament winner



Chris Gilman

2010 FLW Walleye Tour Champion

For a complete listing of the Lowrance Pro Team, see www.lowrance.com

See us on Tour ...

Lowrance continues as a leading sponsor of national fishing tournaments that test our electronics to the limits – the ultimate proving ground for better performance and reliability.



See us on TV and Online ...

Seeing is believing. Whether it's online or on your TV, watch America's favorite and most successful fishing personalities demonstrate why Lowrance is the proven leader for on-the-water success.

In addition to our website, www.lowrance.com, you can follow us online with event and video updates on Facebook.



Find Us on Facebook



Bill Dance Outdoors on Versus



One More Cast With Shaw Grigsby on Versus



Saltwater Experience on Versus



George Poveromo's World of Saltwater Fishing



The Next Bite on Versus



Wired2Fish on Versus

HDS Airmar Transducers

		Part
P319	Plastic low-profile thru-hull 50/200 kHz transducer with temp – 45/12° beamwidths, 12 m/39 ft. cable	000-0136-02
P79	Plastic in-hull 50/200 kHz transducer, no temp – 45/12° beamwidths, 12 m/39 ft. cable	000-0136-03
TM260	Plastic transom-mount 50/200 kHz 1kW transducer with temp – 19/6° beamwidths, 12 m/39 ft. cable	000-10116-001
B60	Bronze thru-hull 50/200 kHz with temp – 45/12° beamwidths and 20° tilt , 12 m/39 ft. cable	000-00021-001
B744V	Bronze thru-hull 50/200 kHz with temp/speed and high-speed fairing block – 45/12° beamwidths 12 m/39 ft. cable	000-0136-05
B164	Bronze thru-hull 50/200 kHz 1kW transducer with temp – 22 /20°+ 6/6° array beamwidths and 20° tilt, 12 m/39 ft. cable	000-10247-001
B258	Bronze thru-hull 50/200 kHz transducer with temp and high-speed fairing block – 15/21° + 3/5° array beamwidths, 12m/39 ft. cable	000-0136-00
B260	Bronze thru-hull 50/200 kHz transducer with temp and high-speed fairing block – 19/6° beamwidths, 12 m /39 ft. cable	000-0106-82
M260 In-hull Tank	Plastic in-hull 50/200 kHz transducer tank kit, no temp – 19/6° beamwidths, 12 m/39 ft. cable	000-0106-91
DST-800	Plastic retractable thru-hull 235 kHz triducer, NMEA 2000° digital depth/speed/temp displays	22098479

HDS Lowrance Blue Connector Transducers

		Part
HST-WSBL	83/200 kHz transom-mount high-speed, low-profile Skimmer® transducer with built-in temp	000-0106-72
HS-WSBL	83/200 kHz transom-mount high-speed, low-profile Skimmer® transducer, no temp	000-0106-71
PDRT-WBL	83/200kHz trolling motor-mount or shoot-thru-hull pod transducer with remote temp	000-0106-89
PD-WBL	83/200kHz trolling motor-mount or shoot-thru-hull pod transducer, no temp	000-0106-73
PDT-WBL	83/200kHz trolling motor-mount pod transducer with built-in depth	000-0106-74
HST-DFSBL	50/200kHz transom-mount high-speed, low-profile Skimmer® transducer with built-in temp	000-0106-77
TMB-S	Trolling motor-mount bracket for high-speed, low-profile Skimmer® transducer	000-0051-45
Suction Cup Kit	Suction cup mount for high-speed, low-profile Skimmer® transducer	000-0051-52
HS-WS-SS Mounting Kit	Stainless steel bracket for 83/200 kHz Skimmer® transducer transom-mounting	000-0099-06
50/200 kHz Mounting Kit	Bracket for 50/200 kHz Skimmer® transducer transom-mounting	000-10392-001
TS-1BL	Temperature sensor (non-NMEA 2000° networked)	000-0099-95
SP-BL	Transom-mount paddlewheel speed sensor (non-NMEA 2000° networked)	000-0099-96
ST-TBL	Transom mount paddlewheel speed/temp sensor (non-NMEA 2000° networked)	000-0099-97
PTI-WBL	Ice transducer	000-0106-94
XT-12BL	3.6 m/12 ft. blue connector transducer extension cable	000-0099-93
XT-20BL	6 m/20 ft. blue transducer extension cable	000-0099-94
SB-9BL	Switch box to connect two (2) blue connector transducers to one echosounder	000-0046-26
SB-10BL	Switch box to connect one blue connector transducers to two (2) echosounders	000-0046-27

StructureScan™ Sonar Imaging

		Part
SST-DFSBLK	StructureScan Skimmer® imaging transducer with transom-mount stainless steel bracket	000-00099-007
LSS-1 Box	StructureScan™ Sonar Imaging LSS-1 module only, no transducer	000-00099-002
THSST-DF	Plastic 455/800 kHz thru-hull StructureScan imaging transducer with fairing block	000-00099-003
Bronze Thru-hull XDRCR	Bronze 455/800 kHz thru-hull StructureScan™ imaging transducer with fairing block	000-10364-001
Dual Bronze XDRCR kit w/ Y cable	Two (2) bronze 455/800 kHz thru-hull StructureScan™ imaging transducers (000-10364-001) , two (2) fairing blocks and Y cable (000-10202-001)	000-10365-001
LSS-TDY	LSS-1 Y cable, connects two (2) StructureScan™ transducers to one LSS-1 module	000-10202-001
SS-TMB	Trolling motor-mount bracket for Skimmer® imaging transducer	000-00099-004
SS-BRK-SS	Stainless steel transom-mount bracket for Skimmer® imaging transducer	000-00099-005
10EX-BLK	3 m/10 ft., 9-pin extension cable for imaging transducer	000-00099-006
Fairing Block B TH XDRCR	Fairing block for StructureScan™ bronze thru-hull imaging transducer	000-10393-001

Contact your Lowrance retailer for these and more Lowrance marine electronics accessories.

Ethernet Networking		Part
NEP-2	Network Expansion Port - 12 vDC powered hub expands Ethernet network connectivity for multiple displays and modules	000-10029-001
ETHEXT-6YL	1.82 m/6 ft. Ethernet network cable	000-0127-51
ETHEXT-15YL	4.5 m/15 ft. Ethernet network cable	000-0127-29
ETHEXT-25YL	7.6 m/25 ft. Ethernet network cable	000-0127-30
ETHEXT-50YL	15 m/50 ft. Ethernet network cable	000-0127-37
ETHEXTRJ45-6INY	RJ45 to yellow Ethernet adaptor cable – 152 mm/6 in.	000-0127-55
ETHEXTRJ45-2MTY	RJ45 to yellow Ethernet adaptor cable – 2 m/6.6 ft.	000-0127-56
NMEA 2000® Networking		Part
NMEA 2000® starter kit	Backbone required to install one or more NMEA 2000® sensors; includes power cable, 0.6 m/2 ft. cable, 4.6 m/15 ft. cable, two (2) network T-connectors, one each male and female network terminators	000-0124-69
N2K-T-RD	NMEA 2000® network T-connector for connection of display or sensor devices	000-0119-79
N2KEXT-2RD	0.6 m/2 ft. NMEA 2000® cable for network extension or connection to additional display	000-0119-88
N2KEXT-6RD	6ft/1.82m NMEA 2000® cable for network extension or connection to additional display	000-0127-53
N2KEXT-15RD	15ft/4.55m NMEA 2000® cable for network extension or connection to additional display	000-0119-86
N2KEXT-25RD	25ft/7.58m NMEA 2000® cable for network backbone extension only	000-0119-83
N2K-PWR-RD	NMEA 2000® power node (cable + T connector); to upgrade LMS/LCX/GlobalMap series network to HDS system	000-0119-75
NAC-MRD2MBL	Adapter cable to enable connection of a blue NMEA 2000® device to a red or black network	000-0127-04
NAC-FRD2FBL	Adapter cable to enable connection of a red or black NMEA 2000® device to a blue network	000-0127-05
SimNet to N2K Adaptor Kit	Connects Simrad RC42 heading sensor to network; includes Simnet-to-NMEA 2000® male adapter, Simnet-2 Joiner, T-connector.	000-0127-45
USB Interface Cable	USB to NMEA 2000® Interface Cable	000-00020-002
TR-120-KIT	Set of one male and one female NMEA 2000® terminators	000-0127-52
LGC-4000 Spat	Pole mount spat/cone for high-speed LGC-4000 5Hz GPS antenna	000-10169-001
Broadband Radar		Part
RI11	For BR24 only, Interface Junction Box for waterproof installation; also provides heading input for systems via NMEA 0183	AA010204
RI10	For BR24 only, Interface Junction Box for waterproof installation; provides heading input for NMEA 2000® systems	AA010189
RI11 utility cable	Utility cable, 2m, LT12 connector - used with RI11 for heading	AA010070
10m BR24 Ext Cable	10 m/33 ft. Broadband Radar radar cable	AA010211
20m BR24 Ext Cable	20 m /66 ft. Broadband Radar radar cable	AA010212
30m BR24 Ext Cable	30 m/99 ft. Broadband Radar radar cable	AA010213
SC20	Mast mount kit	SC20
LMB-A1	Self-levelling radar backstay (aft) mount	LMB-A1
PT2001	PowerTower – 350 mm/14 in. white composite	PT2001
PT2004	PowerTower – 150 mm/6 in. white composite	PT2004
PT3010	4° wedge for composite and aluminium power tower	PT3010
HD Digital Radar		Part
	Ethernet RJ45 male / male cable 2 m /6.5 ft.	AA010080
	Ethernet joiner- RJ45 female/female	AA010083
	Ethernet RJ45 field termination kit	AA010085
SC12	Mast mount kit for 2 kW 18 in. radome	SC12
SC21	Mast mount kit for 4 kW 24in. radome (requires 19042)	SC21
LMB-A2	Self-levelling radar backstay (aft) mount for 2 kW 18 in. radome	LMB-A2
PT2002	PowerTower for 2 kW 18 in. radome - 350mm /14 in. white composite	PT2002
PT2005	PowerTower for 2 kW 18 in. / 4 kW 24 in. radome (4 kW requires 19042) - 150mm /6 in. white composite	PT2005
19042	Adapter plate for 4 kW 24 in. radome	19042
SonicHub Entertainment		Part
Lowrance speaker pack	Two (2) 6.5", 4 Ohm, 200W low-magnetic marine grade waterproof speakers	000-10142-001

New Elite™ DSI DownScan Imaging™ Series

Go Beyond Sonar. DSI Technology Reveals What's Really Down There.

Clearly, DownScan Imaging™ – DSI – is the newest and better way to view and find prime locations easily, effectively, and affordably! Enjoy superior DownScan Imaging™ performance – with greater resolution and better operation at speed – all for a new, affordable price.

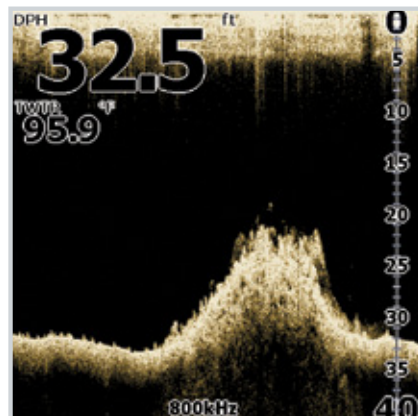
Picture-Perfect DSI Fishfinding and More

- Exclusive Lowrance DSI advancement displays crystal-clear photo-like views directly below the boat; no interpretation needed
- Selectable 455 kHz sounding for wider and deeper coverage, with 800 kHz for enhanced viewing of targeted locations
- Transmits 4,000W peak-to-peak/500W RMS power for depths to 250 ft./76 m
- Impressive bottom viewing at boat speeds up to 50 mph/44 kts. (8 mph/7 kts and less for optimum imaging)
- Sleek new high-speed, transom-mount Skimmer® DSI imaging transducer has dedicated down-looking crystal and built-in temp sensor
- Multiple choices of display color palettes to suit viewing preferences and water/light conditions
- Automatic fine-tuning for the best imaging possible, plus Advanced User Mode for full manual control
- TrackBack™ feature for immediate scroll-back of imaging history to review covered water and pinpoint spots (saves time and fuel trying to re-trace your path)
- Plus, automatic scroll-back on chartplotter trail in TrackBack™; one-button waypoint setting

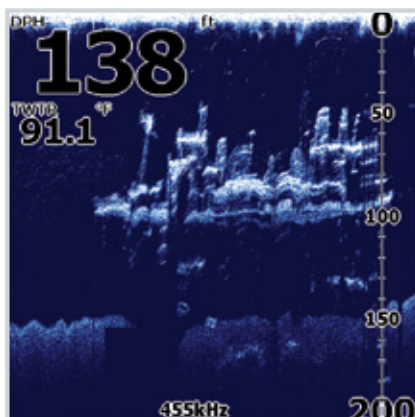
More performance features page 43



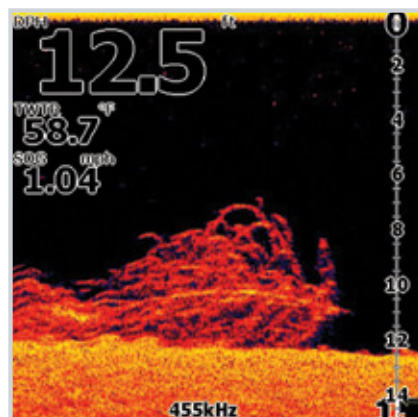
Freshwater baitfish on the run.



Gamefish hovering above saltwater structure.

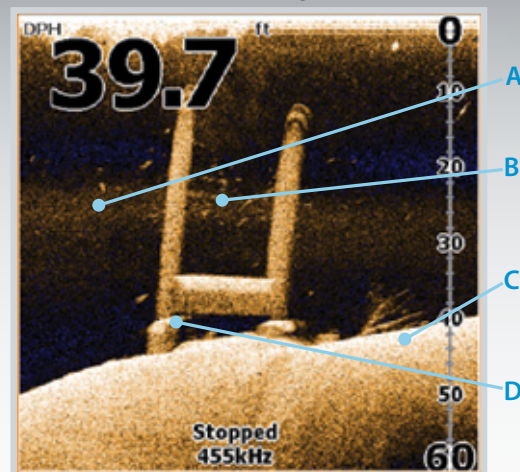


Artificial (ship) reef near Key West, Fla.



Sunken evergreen tree structure.

Actual on-the-water DSI recording.



A. Thermoclines Exposed

DSI clearly shows the boundary layer between lower, colder water, and upper, warmer, oxygen-rich zone where fish prefer to hang.

B. Fish Truly Revealed

You won't miss a fish. DSI imaging vividly reveals fish and baitfish schools separated from structure, displayed as clearly-defined targets.

C. Bottoms Disclosed

With DSI, you easily see the difference between hard and soft bottoms, as well as mark fish and structure on or near the bottom.

D. Structure Uncovered

No guessing, no interpretation; DSI shows you photo-like views of underwater structure, like bridge pilings, rocks, wrecks, channels, drop-offs and more!



"After just one day on the water, I'm convinced. DownScan Imaging goes way beyond traditional sonar! When you see a tree. You can actually see the limbs and the fish suspended in them! You gotta see it to believe it."

– Bill Dance,
Host of *Bill Dance Outdoors*

New Mark™ DSI DownScan Imaging™ Fishfinder



Elite-5 DSI



Mark-5x DSI

Awarded Best Electronics

In new products competition at the 2010 International Convention of Allied Sportfishing Trades (ICAST) exhibition.



Elite-5x DSI



Mark-5x DSI Portable

Go Beyond Sonar. The Rewards Are Perfectly Black and White.

Presenting the new Mark DSI featuring remarkable Lowrance DownScan Imaging™ technology. You get the exclusive DSI performance advantages with the amazing affordability of a high-resolution, direct-sunlight-viewable Lowrance gray scale display.

Elite-5 DSI

Imaging Fishfinder/GPS Chartplotter

Exclusive Lowrance DownScan Imaging™ fish-finding technology features plus built-in 16-channel navigation precision. Built-in enhanced U.S. lake and coastal cartography with shoreline and depth contour detail. Fully compatible with Navionics® Gold and other mapping options.

000-10236-001

Elite-5 DSI GOLD

Imaging Fishfinder/GPS Chartplotter

Elite-5 DSI bundled with a special-issue Navionics® microSD chartcard with U.S. and Canada coastal detail, plus Great Lakes and major Canadian lakes coverage.

000-10245-001

Elite-5x DSI

Imaging Fishfinder

Dedicated standalone Lowrance color imaging fishfinding.

000-10235-001

Mark-5x DSI

Imaging Fishfinder

High-detail 5 in./12.7 cm, 480x480 pixel, 16-level gray scale Film SuperTwist display and unique high-speed Skimmer® DSI transducer for 455/800 kHz imaging sounding.

000-10233-001

Mark-5x DSI Portable

Imaging Fishfinder

Mark-5x DSI in a complete, portable, go-anywhere package. Includes waterproof soft-sided zippered case with sturdy mounting base, Skimmer® DSI transducer with suction-cup mount, and battery power pack for eight D-cell batteries (batteries purchased separately).

000-10234-001

Page 50 for Accessories

Elite™ Fishfinder/Chartplotter Series

Lowrance Elite™ Series: Loads of Color, Sonar and Navigation Performance, and Value.

Innovation, technology and affordability merge in the exceptional color Elite series of easy-to-use and affordable marine electronics – each packed with legendary Lowrance features.

Super-Bright Elite Color Displays

- True 5 in./ 12.7 cm, 480x480 pixel detail with superior contrast and resolutions
- Exclusive SolarMAX™ 256-color TFT display brilliance and viewing at widest angles and in bright sunlight
- Adjustable screen and keypad backlight enhances visibility, day or night

Lowrance Fishfinder Performance

(Elite-5x / Elite-5)

- Transmits 4,000W peak-to-peak/500W RMS power for depths to 1,000 ft./305 m
- Dual-frequency 83/200 kHz Skimmer® transom-mount transducer with internal temp sensor and up to 120° of wider sonar coverage
- Unique TrackBack™ scroll-back feature to review multiple pages of sonar history

Precision GPS Chartplotter

(Elite-5 / Elite-5M)

- Internal, precision 16-channel GPS antenna; external antenna option
- Built-in basemap with U.S. inland and coastal waters detail
- Waterproof microSD memory card slot for optional cartography including Navionics® Gold
- Saves up to 3,000 waypoints, 100 routes/100 waypoints per route and 100 retraceable plot trails/up to 10,000 points per trail

Page 50 for Accessories

Elite-5 Fishfinder/GPS Chartplotter

Power and performance unite with Lowrance digital fishfinder features and navigation precision, featuring built-in enhanced U.S. lake and coastal cartography with shoreline and depth contour detail. Fully compatible with Navionics® Gold and other mapping options.
000-00104-001

Elite-5 GOLD Fishfinder/GPS Chartplotter

Elite-5 bundled with a special-issue Navionics® Gold microSD chartcard with U.S. and Canada coastal detail, plus Great Lakes and major Canadian lakes coverage.
000-00144-001

Elite-5x Fishfinder

Dedicated standalone Lowrance digital fish-finding.
000-00102-001

Elite-5m GOLD Chartplotter

Dedicated standalone Lowrance GPS navigation bundled with a special-issue Navionics® Gold microSD chartcard with U.S. and Canada coastal detail, plus Great Lakes and major Canadian lakes coverage.
000-00103-001



Elite-5



Elite-5x



Elite-5m GOLD

Navionics®
charting shown.

Mark™ Fishfinder Series

Mark™ Series Fishfinders

A Performance Dream-Come-True for the Value-Conscious.

Powerful Lowrance performance, yet so easy to use and afford. Mark fishfinders are specially optimized for excellent sounding with turn-on-and-fish automatic operation ease, while an Advanced User Mode allows manual tuning for special water conditions.

All Include:

- High-detail 5 in./12.7 cm, 480x480 pixel, 16-level gray scale Film SuperTwist display viewable in direct sunlight, plus adjustable screen/keypad backlighting
- Keyboard designed for one-hand control
- Special case/base design for easy one-hand tilt/swivel view adjustment, removal and re-mount
- Simplified installation, plus uniplug 1/4-turn connectors for ease and solid connects in repeated removals and hook-ups

Mark-5x Pro Fishfinder

- Dual-frequency 83/200 kHz Skimmer® transom-mount transducer with built-in temp sensor and up to 120° of wider sonar coverage
- 2,400 W peak-to-peak/300W RMS power; depths to 1,000 ft./305 m
- TrackBack™ scroll-back feature to review multiple pages of echosounder history

000-00175-001

Mark-5x Fishfinder

- High-speed 200 kHz Skimmer® transom-mount transducer with built-in temp sensor and up to 60° of fish-finding coverage
- 1,600 W peak-to-peak/200W RMS power; depths to 800 ft./244 m
- TrackBack™ scroll-back feature to review multiple pages of echosounder history

000-00100-001

Mark-5x Portable Fishfinder

Mark-5x with the same portable package features as the Mark-5x DSI Portable above.

000-00101-001



Mark-5x Pro

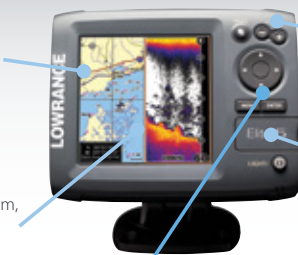


Mark-5x

All Elite and Mark Models (Including DSI Versions) Feature:

Simplified text + icon menu interface for user-friendlier control.

True, 5 in./12.7 cm, 480x480 pixel viewing detail.



Streamlined new keypad design improves operation control with one-hand ease.

Front-forward internal 16-channel GPS chartplotter antenna.

Chartplotter waterproof microSD slot for optional Navionics® chartcard display.

Chartplotter coax input for optional external GPS chartplotter antenna.

Flush-mounts in dash with threaded inserts and fits previous Lowrance and Eagle® cut-out for replacement upgrade ease.



New, quarter-turn uniplug connectors are compatible with previous Lowrance and Eagle® uniplug models for upgrade installation.

- Power/transducer uniplug port.
- Uniplug port for added temp, speed or NMEA 0183 sensor for VHF DSC and autopilot options.

New tilt and swivel mounting system adjusts to viewing angles with rock-steady viewing in rough water.

- Easy-to-install low-profile base with convenient cable routing access.
- Head unit with molded handle easily snaps on/off base with one hand.

M/X Series Fishfinders/GPS

Better Fishfinding Has Never Been Easier, or More Easily Affordable.

NEW X-4 Pro

High-Detail, Dual-Search 83/200 kHz Fishfinder

The versatile new Lowrance X-4 Pro 83/200 kHz fishfinder for more productive shallow and deepwater fishfinding coverage, with superb target detail and separation. Packed with an advanced receiver design and a wealth of Lowrance features, the new X-4 Pro is easy-to-use and easy-to-afford.

- Sunlight-viewable 4 in./10.2 cm Film SuperTwist™ LCD display
- Detailed 240V x 160H pixel resolution with 4-level gray scale
- 83/200 kHz dual-search Skimmer® transom-mount transducer with temp sensor and up to 120° expanded fish detection coverage – operates at boat speeds up to 70 mph/61 kts
- 1,500W peak-to-peak/188W RMS power with depths to 1,000 ft./305 m @83 kHz.
- Automatic ASP™ (Advanced Signal Processing), GRAYLINE®, Advanced Fish I.D.™, FishTrack™ and more feature

000-10229-001



NEW X-4

High-Detail 200 kHz Fishfinder

For simple, but effective, fishfinding with incredible Lowrance features and excellent, detailed viewing, you just can't beat the new X-4 for higher performance at a lower price!

- Sunlight-viewable 4 in./10.2 cm Film SuperTwist™ LCD display
- Detailed 240V x 160H pixel resolution with 4-level gray scale
- High-speed 200 kHz Skimmer® transom-mount transducer w/temp sensor and up to 60° of fish detection coverage – operates at boat speeds up to 70 mph/61 kts
- 800W peak-to-peak/100W RMS power – depths to 600 ft./183 m
- Automatic ASP™, GRAYLINE®, Advanced Fish I.D.™, FishTrack™ and more features

000-10227-001



NEW X-4 Portable

200 kHz Fishfinder

Great for go-anywhere fishfinding ease on kayaks, row boats, or virtually any watercraft that floats.

The X-4 Portable features the X-4 packed inside a waterproof soft-sided zippered case with sturdy mounting base, Skimmer® 200 kHz transducer with suction-cup mounting* and battery power pack for eight D-cell batteries (batteries not included).

* not designed for high-speed use

000-10228-001

Color Compacts with Proven Performance

M68c S/Map Fishfinder/Chartplotter with Brighter Color Viewing

A favorite for smaller boats and budgets, with precision Lowrance sonar and GPS navigation performance with brilliant 256-color display for sunlight viewing.

- Enhanced 3.5 in./8.9 cm, diag. 320Vx240H pixel, active matrix TFT display renders exceptional viewing detail even in bright sunlight
- White LED backlit screen and keypad
- 800 watts peak-to-peak power/100 watts RMS, depths to 600 ft./183 m
- High-speed 200 kHz Skimmer® transducer with built-in temp sensor and up to 60° of wide fish detection
- Automatic ASP™, COLORLINE®, HyperScroll™, FasTrack™ and more features
- Precision GPS receiver with built-in antenna
- Saves up to 1,000 waypoints to mark fishing spots with a choice of 42 icons
- Saves up to 100 retracable plot trails

000-0116-032

M68c S/Map Deep Water

Same M68c S/Map features with special Skimmer® transducer with temp sensor for deeper salt water or downrigger tracking to depths of 800 ft./244 m

000-0116-072

X67c Fishfinder with Brighter Color Viewing

Enjoy brilliant color sonar performance, unique for incredible visibility in sunlight, at an attractive price.

- Enhanced 3.5 in./8.9 cm, diag. 320Vx240H pixel, active matrix TFT display renders exceptional viewing detail even in bright sunlight
- White LED backlit screen and keypad
- 800 watts peak-to-peak power/100 watts RMS, depths to 600 ft./183 m
- High-speed 200kHz Skimmer® transducer with built-in temp sensor and up to 60° of wide fish detection
- Automatic ASP™, COLORLINE®, HyperScroll™, FasTrack™ and more features

000-0110-502



M68c S/Map



X67c

Value-Priced, Gray Scale Fishfinder Options

X52 Fishfinder – NMEA 2000® Networking Options

A proven favorite for delivering sonar performance with NMEA 2000® connectivity in a nicely sized and affordable priced combination.

- High-detail 4 in./10.2 cm diag. Film SuperTwist display and 16-level grayscale definition
- 240Vx160H pixel resolution with superior viewing in direct sunlight
- Screen and keypad backlighting
- 1,500 watts peak-to-peak power/188 watts RMS, depths to 800 ft./274 m
- High-speed 200kHz Skimmer® transducer with built-in temp sensor and up to 60° of wide fish detection
- Automatic ASP™, GRAYLINE®, Advanced Fish I.D.™, FishTrack™ and more features
- Connector for NMEA 2000® networking

000-0110-612



X52

X59 DF Fishfinder – NMEA 2000® Networking Options

Dual-frequency 50/200 kHz sonar for deeper salt water or downrigger tracking with NMEA 2000® networking connectivity.

- Same display and sonar features of the X52
- 2,400W peak-to-peak power/300W RMS, depths to 1,500 ft./457 m @ 50 kHz
- High-speed 50/200kHz Skimmer® transducer with built-in temp sensor
- Connector for NMEA 2000® networking

000-0110-632



X59 DF

LST-3800 In-Dash Digital Depth/Temp

Reliability, accuracy and simplified operation from this digital depth gauge with water temp readings. Ideal for inland and in-shore coastal boats.

- High-contrast dot matrix display with advanced white LED backlighting
- 200 kHz Skimmer® transom-mount transducer with built-in temp sensor
- Depths to 700 ft./213 m
- Shallow and deep depth alarms
- Temp readings to nearest 0.1° F
- Fits standard 2-1/8 in./55 mm dia. hole

000-0047-94



Page 50 for Accessories

M/X Series Portable Packages

Get Ready, Get Set ... Go Fishing Anywhere.



NEW FEATURES FOR 2011 X67c IceMachine™

Portable Color 200 kHz Fishfinder

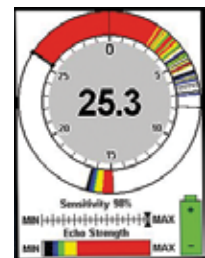
Self-contained and ready to go fishing anytime on the ice – or on anything that floats – this package offers a complete, year-round Lowrance sonar system, with superior no-fade viewing performance even in temperatures down to -20° F/ -28° C. With the same X67c display and functions (page 45), the IceMachine includes:

- Unique "Ice Mode" full-screen LCD flasher with adjustable color palettes and sensitivity
- Special, weighted 200 kHz bullet-shaped ice transducer
- Weatherproof zippered soft pack with external mesh storage pockets
- Internal platform adjusts up/down for display viewing ease and features two tackle trays, rod-holder slots and quick-access lure storage
- 12 vDC no-maintenance battery and charger

000-10210-001



New design for portable fishing conveniences.



X67c flasher view with Ice Mode display features



PPP-181 Ice Fishing Kit

Here's a great way to make your own Lowrance portable. The Ice Fishing Kit comes with all the accessories you need – soft pack, bullet ice transducer, platform, tackle trays, 12 vDC battery & charger. You just purchase and add the Lowrance echosounder/chartplotter you prefer. Works with most Lowrance and Eagle® with uniplug connectors, including the Elite™ and Mark™ series (pages 40-43).

000-10209-001



PPP-17 Portable Power Pack

Features soft case, platform and tackle trays, plus a Skimmer® 200 kHz transducer with suction-cup mount and battery power pack for eight D-cell batteries (batteries not included). For Elite™ and Mark™ fishfinders and most Lowrance and Eagle® models with uniplug connectors.

000-10030-001



Lowrance Ice-Fishing Kit features elevated display platform for easy viewing, front and rear zippered openings and works with X-series and Elite color fishfinders, plus the HDS-5 (requires adaptor).

Page 50 for Accessories

VHF Marine Radios

Keep in touch with unbeatable quality, dependability and performance.



LVR-880 DSC VHF+FM Fixed-Mount Marine Radio

The first with an FM and NMEA 2000® interface for Track-Your-Buddy®. Plus other premium features in an exceptional 25W/1W DSC marine radio.

- 25W/1W VHF and stereo FM receiver with dual audio amps
- All USA/Canada/Intranational VHF voice and weather channels
- Full 25W Class D DSC automatic distress operation transmits/receives vessel position/group calls via dual NMEA 2000®/0183 output to most chartplotters
- Extra-large, bright, custom full-matrix backlit screen; lat/lon displayed without scrolling
- Rotary channel control with push-to-enter
- Exclusive **Track-Your-Buddy®** feature to locate companion boats
- Simplified intercom with talkback and built-in 22W hailer-horn
- GREAT CIRCLE NAVIGATION with NMEA 2000® data transfer chartplotters
- Large 2.24 in./57 mm speaker with robust audio output for high-speed running and 4W external speaker jack
- All-channel naming, instant three favorite channels access with scan, Local/Distant eliminates interference
- Case and microphone fully JIS 7 waterproof/submersible

LVR-880U
000-0022-20

LVR-250 DSC VHF Fixed-Mount Marine Radio

Solid reliability and attractive features without the high price in a high-quality 25W/1W fixed-mount VHF marine radio with DSC.

- All USA/Canada/Intranational VHF voice and weather channels
- Full 25W Class D DSC automatic distress operation transmits-receives vessel position/group calls via NMEA 0183 output to most chartplotters
- Large, clear, 4-line backlit screen; lat/lon displayed without scrolling
- Rotary channel control with push-to-enter
- Current boat position/time with chartplotter connection
- Extra-large dedicated 16/9 calling channel key
- Large chassis speaker with robust audio output for high-speed running plus 3W external speaker jack
- All-channel naming, instant three favorite channels access with scan, Local/Distant eliminates interference
- Case and microphone fully JIS 7 waterproof/submersible

LVR-250U
000-0022-19



Floatable LHR-80 VHF/GPS Handheld Marine Radio

Advanced and affordable 5/1W waterproof VHF handheld features built-in 12-channel GPS receiver, trackplotter, Great Circle navigation, and more. Plus it floats!

- 5W/1W handheld VHF is fully JIS 7 waterproof/submersible AND floats in sea water
- All USA/Canada/Intranational VHF voice and weather channels
- SC101 DSC automatic distress transmit-receive operation when mounted in charger cradle with NMEA 0183 output connection to chartplotter
- Exclusive **Track-Your-Buddy®** and **Get Buddy®** features to locate companion boats
- Large, backlit LCD bitmapped screen maximizes viewing; 4-bar battery life indicator
- Built-in 12-channel GPS with lat/lon output, trackplotter display, waypoint icons and cursor control
- Long-life, high-capacity, Li-Polymer rechargeable battery with rapid charger (less than 3 hours)
- GREAT CIRCLE NAVIGATION with NMEA 0183 data transfer to external chartplotter when in cradle
- Twelve plotter range scales and 360-point track history with interval control
- All-channel naming, dedicated key for instant three favorite channels access with scan
- Backlit function keys; instant GO/MOB key and 16 key with keylock

LHR-80U
000-0022-17

What's DSC?

Digital Selective Calling (DSC) provides for instant distress calls plus digital messaging via VHF, and is a component of the international Global Maritime Distress and Safety System (GMDSS). A GPS connection provides time and location that's broadcast with your boat's ID automatically with a press of the DISTRESS button. So simple, even inexperienced VHF users to send distress calls with one-button ease. With DSC you can also privately hail another DSC-equipped vessel, or shore station, with a known MMSI (Maritime Mobile Service Identity) number. It will also "ring" and notify you that you have a private hail, and automatically switch you to the open channel for your caller. Lowrance fixed-mount VHF models meet the 2010 FCC requirement for full Class D DSC in 25W marine radios.

What's Track-Your Buddy®?

This special function is for safety, teamwork, convenience, and even just for fun. It's a great feature that uses VHF DSC position polling with chartplotter to view three boating friends on the chart display. It's also easy to set up the Lowrance LVR-880 or LHR-80 handheld with the MMSI number of your buddies and a compatible Lowrance GPS chartplotter. Your VHF regularly polls your buddies' positions and the chartplotter updates their locations on your screen.

What's Get-Buddy™?

Get-Buddy lets up to 10 companions in your group with LHR-80 radios transmit individual bearing and distance of their location to all buddies - instantly, in real-time on a selected working channel. Store the group's MMSI/name, go to the same channel and start Get Buddy. The press and release of the PTT on one LHR-80 handheld transmits to all others in range. Each receiving radio displays the exact distance and bearing of each sender.

Endura™ Handheld Outdoor GPS

Endura™ Handheld Touch-Screen GPS Navigation

Guiding Outdoor Adventure with Safety, Confidence and Precision.

Lowrance Endura GPS devices are the must-have rugged and waterproof tool for any outdoor enthusiast. Supported by best-in-class preloaded mapping, sport-specific waypoint icons, and easy-to-use menus and tools, the Endura series provides a level of support for hunting, fishing, boating, hiking and geocaching that is unmatched in the marketplace.

With a microSD media expansion slot for up to an additional 32GB of mapping, pictures, MP3 audio files and more, the Endura line can be customized with plug-and-play mapping such as Fishing Hot Spots®, LakeMaster®, and Lowrance AccuTerra® Outdoor cartography or downloadable satellite and topo maps from MapSelect.com. Share GPX waypoints and trails from Lowrance HDS®, hiking and mountain biking websites, and from Geocaching.com as single cache or pocket query files.



Endura™ Sierra

Fully loaded, premium outdoor and road mapping navigator

Over 3GB of mapping and content PLUS all the features of the Safari GPS!

- Pre-loaded 100 ft. topographic contours and detailed land use shading
- Complete NAVTEQ® US road network
- 1.7 million points-of-interest and embedded popular national park trails
- Digital, stabilized 3-axis compass and barometric altimeter
- Multimedia MP3/voice notes, picture, and video players
- Turn-by-Turn Navigation capable with optional US/ CAN Road Navigation card

000-0125-40



Endura™ Safari

Incredibly versatile GPS for hunting, fishing and geocaching

- Advanced basemap with 500 ft. topographic contours, land use shading, primary and secondary roads, and 200,000 Points-of-Interest
- Digital, stabilized 3-axis compass and barometric altimeter
- Over 35 Fishing and Hunting specific waypoint icons
- Customizable trip computer provides sunrise and sunset times, distance, and more
- View game camera pictures/video or record and play waypoint voice notes with multimedia tools
- Turn-by-Turn Navigation capable with optional US/ CAN Road Navigation card

000-0125-39



Endura™ Out&Back

The most affordable color, touch screen outdoor GPS available

- Easy to understand basemap with lakes, rivers, primary and secondary roads
- Paperless geocaching with cache icons, cache detail, logs and field note capability
- Upgrade with additional outdoor and marine mapping, waypoints and trails any time you wish
- Multiple mounting options with two attachment points for lanyards, RAM Mount handlebar mounts, etc.

000-0125-38

NEW FOR 2011

Endura™ Safari with Fishing Hot Spots® PRO USA

The Safari, bundled with the ultimate angler's digital mapping and fishing information for premier U.S. fishing waters on microSD media card (page 24 for more).

000-10282-001

Off-Road Racing GPS

A Reputation of Spot-On GPS Navigation That's Tough Enough to Beat the Baja, for Over a Decade.

Legendary, Rugged Brilliance.
HDS® GPS Chartplotters



HDS-7m

HDS-5m

HDS High Definition System chartplotters are the only GPS displays that go to extremes to deliver exceptional, full-featured satellite navigation to survive any pounding on any surface. Available in two screen/case sizes to fit the snuggest vehicle interiors, both feature:

Internal GPS+WAAS Antenna – High-sensitivity, enhanced 16-channel precision.

High-Speed LGC-4000 Baja Option – Super-accurate external 5Hz GPS antenna with location updates five (5) times every second.

Clearest Views – Exclusive SolarMAX™ PLUS displays unequalled in sunlight and wide-angle viewing plus optimized night mode.

Smoother Moves – Easy-to-use; menu interface speeds functions access/control.

Media Card Conveniences – Record, save and/or upload GPS waypoints, trails, routes as well as load free software updates.

Performance Plotting – Stores 5,000 waypoints, 200 routes, and 10 retracable trails up to 12,000 points/trail. Choice of 70 graphic marker icons with five different color choices each.

Dual Communications – NMEA 2000® and NMEA 0183

HDS-7m Chartplotter

Large 6.4 in./16.3 cm, 480V x 640H pixel full VGA 16-bit color detail display with built-in enhanced U.S. basemap.

000-0140-16

HDS-5m Chartplotter

High-resolution 5 in./12.7 cm, 480V x 480H pixel 16-bit color detail display with built-in enhanced U.S. basemap.

000-0140-23

LGC-4000 Baja

Ruggedized, WAAS-enhanced 5Hz, 16-channel dust/waterproof external GPS antenna. Includes NMEA 2000® Starter Kit for HDS connection.

000-0125-31

Mighty. Durable. Reliable. Affordable
NEW Elite-5m BAJA



Introducing legendary Lowrance off-road durability, high-performance GPS features and high-color viewing in a complete, install-and-race navigation package at an attractively affordable price.

Internal GPS Antenna – Superb WAAS-enhanced 16-channel location accuracy.

Plus External Antenna – Compact, dust and waterproof 16-channel GPS+WAAS module also included.

High Visibility – SolarMAX™ 256-color TFT screen detail, contrast, brightness and wider viewing angles.

Ideal Control – Keypad design for smooth one-hand operation plus easy-to-navigate user interface menu.

Media Matters – microSD slot to record, save and/or upload GPS waypoints, trails, routes as well as free software enhancements.

Prodigious Plotter – Stores 3,000 waypoints, 100 routes, and 10 trails up to 10,000 points/trail. Choice of 12 graphic marker icons with five different color choices each.

Communications – NMEA 0183

Elite-5m BAJA Chartplotter

True 5 in./12.7 cm, 480V x 480H pixel 256-color high-detail display with built-in enhanced U.S. basemap, LGC-16W external antenna and kit for in-dash flush mounting.

000-10208-001



LGC-4000 BAJA

Accessories – Standalone Electronics

Elite DSI/Mark DSI Transducers

Part

Skimmer® transducer DSI w/Temp	455/800 kHz Skimmer® DSI imaging transducer with built-in temp	000-10260-001
Trolling Motor transducer Adaptor DSI	Trolling motor-adaptor for 455/800 kHz Skimmer® DSI imaging transducer	000-10261-001
Skimmer® transducer Mount DSI	Transom-mount bracket for Skimmer® DSI imaging transducer	000-10262-001
Transducer Extension DSI	4.5 m/15 ft. extension cable for Skimmer® DSI imaging transducer	000-10263-001

Uniplug Transducers

Part

<i>Elite/Mark/X-4 Series/X67c/M68c</i>		
HST-WSU	200 kHz transom-mount high-speed, low-profile Skimmer® transducer with built-in temp	000-0106-48
HST-50/200-WSU	50/200 kHz t transom-mount high-speed, low-profile Skimmer® transducer with built-in temp for M68c	000-0106-49
PDRT-WSU	83/200kHz trolling motor-mount or shoot-thru-hull pod transducer with remote temp	000-0106-69
PD-WSU	83/200kHz trolling motor-mount or shoot-thru-hull pod transducer, no temp	000-0106-52
PDT-WSU	83/200kHz trolling motor-mount pod transducer with built-in temp	000-0106-50
PTI-WSU	Ice transducer	000-0106-68
BT-THU	Bronze thru-hull 83/200 kHz transducer with temp 45/12° beamwidths, 12 m/39 ft. cable	000-10248-001
TS-2U	Second temp sensor for use with all Lowrance uniplug echosounders	000-0099-77
ST-TU	Transom-mount paddlewheel speed/temp sensor	000-0099-75
XT-15U	4.5 m/15 ft. quarter-turn uniplug transducer extension cable	000-0099-91
NDC-4	NMEA-0183 output cable for Elite™, M68c, M52i GPS products	000-0119-31
TA-BL2U-T	Adapter from blue connector 50/200 kHz or 200 kHz transducers to uniplug echosounder	000-0127-66
Suction Cup Kit	Suction cup mount for Skimmer® transducer	000-0051-52

Blue Connector Transducers

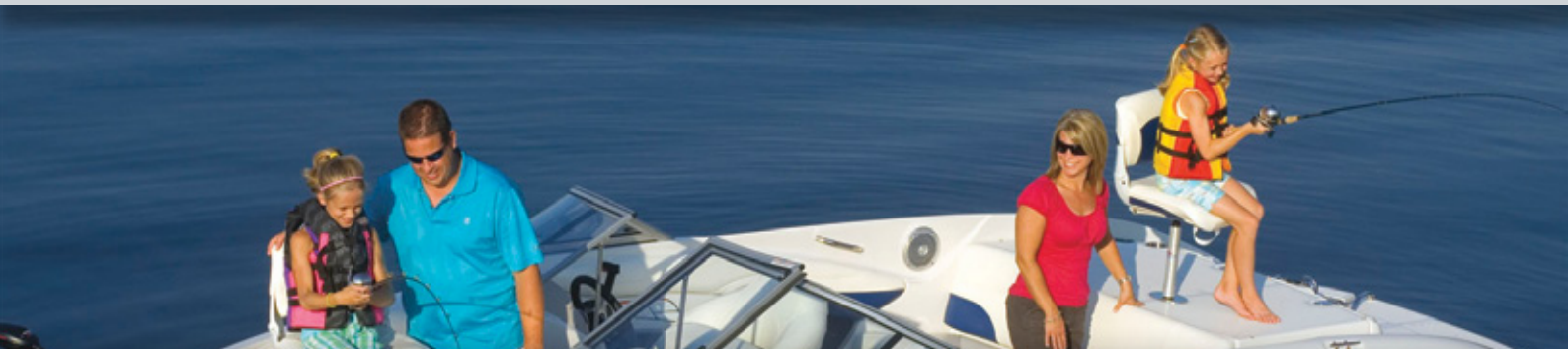
Part

<i>X52/X59 DF</i>		
HST-WSBL	200 kHz transom-mount high-speed, low-profile Skimmer® transducer with built-in temp (not for X59 DF)	000-0106-72
HS-WSBL	200 kHz transom-mount high-speed, low-profile Skimmer® transducer, no temp (not for X59 DF)	000-0106-71
PDRT-WBL	200kHz trolling motor-mount or shoot-thru-hull pod transducer with remote temp (not for X59 DF)	000-0106-89
PD-WBL	200kHz trolling motor-mount or shoot-thru-hull pod transducer, no temp (not for X59 DF)	000-0106-73
PDT-WBL	200kHz trolling motor-mount pod transducer with built-in depth (not for X59 DF)	000-0106-74
HST-DFSBL	50/200kHz transom-mount high-speed, low-profile Skimmer® transducer with built-in temp (for X59 DF)	000-0106-77
TMB-S	Trolling motor-mount bracket for high-speed, low-profile Skimmer® transducer	000-0051-45

Flush-Mount Kits

Part

FM-ME5	Flush-mount kit for all Elite and Mark series displays	000-10028-001
FM-6	Flush-mount kit for X67c, M52i, M68c	000-0113-20
FM-4	Flush-mount kit for X-52 and X-59 DF	000-0113-03



VHF Fixed-Mount		Part
2.5m U/Glass VHF antenna	2.5 m/8 ft. fiberglass quick-fit VHF antenna	AA000355
1m U/Glass VHF antenna	1 m/3 ft. fiberglass quick-fit VHF antenna	AA000358
F/down Mnt, Nylon	Nylon quick-fit mount for U/Glass antennas	AA000223
F/down Mnt, S/S	Stainless steel quick-fit mount for U/Glass antennas	AA000224
1m S/S + bkt VHF antenna	Sailboat masthead VHF antenna	AA000352
5m VHF extension	5 m/16.4 ft. VHF antenna extension cable	AA000400
VHF Handheld		Part
VKIT-2	LHR-80 charging cradle and UK power adaptor	000-10007-001
VKIT-3	LHR80 charging cradle and EU power adaptor	000-10008-001
VKIT-5	LHR-80 charging cradle and 12 vDC accessory power plug cable	000-10010-001
PC-29	LHR-80 power cable	000-0127-40
VBP-4	LHR-80 1,400 mAh Li-Polymer battery pack	000-0016-53
MBC-1	Belt Clip for LHR-80	000-10017-001
HHA-3	Antenna for LHR-80	000-10016-001
Endura Handheld GPS		Part
Endura mini USB & NMEA cable IPx4		000-00002-033
Endura cradle and bike mount		000-00002-034
Endura carrying case		000-00002-035
Endura 12 vDC accessory power plug cable		000-00002-036
PAC-9 Endura AC power adapter		000-0127-41
Endura™ Mapping		Part
Lowrance outdoor US	NorthEast	000-00002-014
Lowrance outdoor US	SouthEast	000-00002-015
Lowrance outdoor US	South	000-00002-016
Lowrance outdoor US	Great Lakes	000-00002-017
Lowrance outdoor US	Mid West	000-00002-018
Lowrance outdoor US	West	000-00002-019
Lowrance outdoor US	Rockies	000-00002-020
Lowrance outdoor	USA & Canada	000-00002-030
Fishing Hot Spots® PRO USA	www.fishinghotspots.com	
Off-Road GPS		Part
LGC-4000 Baja	Ruggedized 5Hz GPS+WAAS 16-channel external antenna for HDS	000-0125-31
FM-12	Flush-mount kit for all HDS models	000-0124-65

Contact your Lowrance retailer for these and more Lowrance marine electronics accessories.



Specifications

HDS® Multifunction Displays Fishfinder/ Chartplotter



	HDS-10	HDS-8	HDS-7	HDS-5	HDS-5x
Display	26.4 cm/10.4 in. 16-bit color SolarMAX™ PLUS TFT	20.3 cm/8 in. 16-bit color SolarMAX™ PLUS TFT	16.3 cm/6.4 in. 16-bit color SolarMAX™ PLUS TFT	12.7 cm/5 in. 16-bit color SolarMAX™ PLUS TFT	12.7 cm/5 in. 16-bit color SolarMAX™ PLUS TFT
Resolution	Super VGA 600V x 800H pixels	Super VGA 600V x 800H pixels	Full VGA 480V x 640H pixels	High Contrast 480V x 480H pixels	High Contrast 480V x 480H pixels
Backlighting	Pure white LED screen/ keypad adjusts to zero dim	Pure white LED screen/ keypad adjusts to zero dim	Pure white LED screen/ keypad adjusts to zero dim	Fluorescent cold cathode adjustable screen/keypad	Fluorescent cold cathode adjustable screen/keypad
Power Output RMS/Peak-to-Peak	32W/250W; RMS actual; 750W/30,000W analog equivalent	32W/250W; RMS actual; 750W/30,000W analog equivalent	32W/250W; RMS actual; 750W/30,000W analog equivalent	32W/250W; RMS actual; 750W/30,000W analog equivalent	32W/250W; RMS actual; 750W/30,000W analog equivalent
Operating Frequency	50/83/200 kHz	50/83/200 kHz	50/83/200 kHz	50/83/200 kHz	50/83/200 kHz
Depth Capability	To 1525 m/5,000 ft. Based on transducer*	To 1525 m/5,000 ft. Based on transducer*	To 1525 m/5,000 ft. Based on transducer*	To 1525 m/5,000 ft. Based on transducer*	To 1525 m/5,000 ft. Based on transducer*
Operating Voltage	10-17 vDc	10-17 vDc	10-17 vDc	10-17 vDc	10-17 vDc
GPS Receiver/Antenna	Internal high-sensitivity 16-channel GPS+WAAS/EGNOS/MSAS corrections	Internal high-sensitivity 16-channel GPS+WAAS/EGNOS/MSAS corrections	Internal high-sensitivity 16-channel GPS+WAAS/EGNOS/MSAS corrections	Internal high-sensitivity 16-channel GPS+WAAS/EGNOS/MSAS corrections	None
Waypoint Management	5,000 waypoints, 200 routes, 10 trails up to 12,000 points each; specific icons for navigation and fishing	5,000 waypoints, 200 routes, 10 trails up to 12,000 points each; specific icons for navigation and fishing	5,000 waypoints, 200 routes, 10 trails up to 12,000 points each; specific icons for navigation and fishing	5,000 waypoints, 200 routes, 10 trails up to 12,000 points each; specific icons for navigation and fishing	Waypoints with network only
Communication	NMEA 2000® networking, Ethernet networking, NMEA 0183	NMEA 2000® networking, Ethernet networking, NMEA 0183	NMEA 2000® networking, Ethernet networking, NMEA 0183	NMEA 2000® networking, Ethernet networking, NMEA 0183	NMEA 2000® networking, Ethernet networking, NMEA 0183
Languages	Choice of 23	Choice of 23	Choice of 23	Choice of 23	Choice of 23
Media Port	Two (2) SD/MMC slots for cartography, or recording sonar and navigation data	Two (2) SD/MMC slots for cartography, or recording sonar and navigation data	One (1) SD/MMC slot for cartography, or recording sonar and navigation data	One (1) SD/MMC slot for cartography, or recording sonar and navigation data	None
Case Size	22.5 cm/8.85 in. H 31.2 cm/12.28 in. W 9.2 cm/3.63 in. D Sealed and waterproof, suitable for saltwater use	19.7 cm/7.76 in. H 26.9 cm/10.59 in. W 9.4 cm/3.68 in. D Sealed and waterproof, suitable for saltwater use	16.4 cm/6.46 in. H 22.3 cm/8.78 in. W 8.8 cm/3.46 in. D Sealed and waterproof, suitable for saltwater use	14.5 cm/5.72 in. H 18.4 cm/7.24 in. W 8.8 cm/3.46 in. D Sealed and waterproof, suitable for saltwater use	14.5 cm/5.72 in. H 18.4 cm/7.24 in. W 8.8 cm/3.46 in. D Sealed and waterproof, suitable for saltwater use

HDS® Multifunction Displays Chartplotter



	HDS-7m	HDS-5m
Display	16.3 cm/6.4 in. 16-bit color SolarMAX™ PLUS TFT	12.7 cm/5 in. 16-bit c olor SolarMAX™ PLUS TFT
Resolution	Full VGA 480V x 640H pixels	High contrast 480V x 480H pixels
Backlighting	Pure white LED screen/ keypad adjusts to zero dim	Fluorescent cold cathode adjustable screen/keypad
Operating Voltage	10-17 vDc	10-17 vDc
GPS Receiver/Antenna	Internal high-sensitivity 16-channel GPS+WAAS/EGNOS/MSAS corrections	Internal high-sensitivity 16-channel GPS+WAAS/EGNOS/MSAS corrections
Waypoint Management	5,000 waypoints, 200 routes, 10 trails up to 12,000 points each; specific icons for navigation and fishing	5,000 waypoints, 200 routes, 10 trails up to 12,000 points each; specific icons for navigation and fishing
Communication	NMEA 2000® networking, Ethernet networking, NMEA 0183	NMEA 2000® networking, Ethernet networking, NMEA 0183
Languages	Choice of 23	Choice of 23
Media Port	One (1) SD/MMC slots for cartography, or recording sonar and navigation data	One (1) SD/MMC slots for cartography, or recording sonar and navigation data
Case Size	16.4 cm/6.46 in. H 22.3 cm/8.78 in. W 8.8 cm/3.46 in. D Sealed and waterproof, suitable for saltwater use	14.5 cm/5.72 in. H 18.4 cm/7.24 in. W 8.8 cm/3.46 in. D Sealed and waterproof, suitable for saltwater use

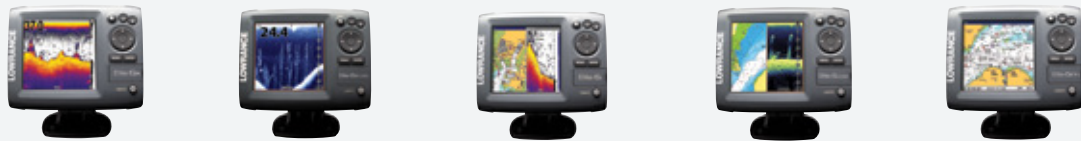


Radar



	LRA-1800	LRA-2400	TX06L-1	3G
Type	Pulse Radome	Pulse Radome	Pulse Array	FMCW Radome
Size/Weight	45 cm/18 in. 4.2 kg/9 lbs.	60 cm/24 in. 10 kg/22 lbs.	1.28 m/4 ft. 29 kg/64 lbs.	48.8 cm/19 in. 7.4 kg/16 lbs.
Output Power	2 kW	4 kW	6 kW	165 mW safe to touch
Max. Range Scale	24 nm	48 nm	72 nm	24 nm
Min. Range Scale	1/8 nm	1/8 nm	1/8 nm	1/32 nm/200 ft
Warm-up Time	90 sec.	90 sec.	90 sec.	under 1 sec.
Beamwidth (H/V)	5.2°/30°	4°/25°	1.8°/20°	25°
Voltage Required	10.8 – 15.6 vDC	10.8 – 42 vDC	10.8 – 42 vDC	9 – 31.2 vDC
Rotation Speed	27 RPM	27 RPM	27 RPM	24/36 RPM

Elite & Elite DSI
Fishfinders &
Chartplotters



	Elite-5X	Elite-5x DSI	Elite-5	Elite-5 DSI	Elite-5m
Function	Fishfinder	DownScan Imaging™ Fishfinder	Fishfinder/Chartplotter	DownScan Imaging™ Fishfinder/ Chartplotter	Chartplotter
Display	12.7 cm/5 in. SolarMAX™ PLUS color	12.7 cm/5 in. SolarMAX™ PLUS color	12.7 cm/5 in. SolarMAX™ PLUS color	12.7 cm/5 in. SolarMAX™ PLUS color	12.7 cm/5 in. SolarMAX™ PLUS color
Resolution	256-colour TFT 480 x 480 pixels	256-colour TFT 480 x 480 pixels	256-colour TFT 480 x 480 pixels	256-colour TFT 480 x 480 pixels	256-colour TFT 480 x 480 pixels
Backlighting	Fluorescent cold cathode	Fluorescent cold cathode	Fluorescent cold cathode	Fluorescent cold cathode	Fluorescent cold cathode
Power Output Watts RMS/Peak-to-Peak	500/4000	500/4000	500/4000	500/4000	N/A
Operating Frequency	83/200 kHz	455/800 kHz	83/200 kHz	455/800 kHz	N/A
Depth Capability	305 m/1000 ft.	76 m/250 ft.	305 m/1000 ft.	76 m/250 ft.	N/A
Operating Voltage	10-17 vDC	10-17 vDC	10-17 vDC	10-17 vDC	10-17 vDC
GPS Receiver/Antenna	N/A	N/A	High-sensitivity internal 16-channel GPS with WAAS/EGNOS/ MSAS correction	High-sensitivity internal 16-channel GPS with WAAS/EGNOS/ MSAS correction	High-sensitivity internal 16-channel GPS with WAAS/EGNOS/ MSAS correction
Waypoint Management	N/A	N/A	Up to 3000 waypoints, 100 routes, 100 waypoints per route, 100 retracable plot trails, up to 10,000 points per trail	Up to 3000 waypoints, 100 routes, 100 waypoints per route, 100 retracable plot trails, up to 10,000 points per trail	Up to 3000 waypoints, 100 routes, 100 waypoints per route, 100 retracable plot trails, up to 10,000 points per trail
Communication	N/A	N/A	NMEA 0183	NMEA 0183	NMEA 0183
Languages	Choice of 23	Choice of 23	Choice of 23	Choice of 23	Choice of 23
Media Port	N/A	N/A	Waterproof slot for one microSD for Navionics® Gold charting	Waterproof slot for one microSD for Navionics® Gold charting	Waterproof slot for one microSD for Navionics® Gold charting
Mounting	Quick-release base with one-hand tilt/ swivel or in-dash mounting	Quick-release base with one-hand tilt/ swivel or in-dash mounting	Quick-release base with one-hand tilt/ swivel or in-dash mounting	Quick-release base with one-hand tilt/ swivel or in-dash mounting	Quick-release base with one-hand tilt/ swivel or in-dash mounting
Case Size	13.6 cm/5.37 in. H 17.4 cm/6.85 in. W 6.3 cm/2.48 in. D Sealed and waterproof, ideal for saltwater use	13.6 cm/5.37 in. H 17.4 cm/6.85 in. W 6.3 cm/2.48 in. D Sealed and waterproof, ideal for saltwater use	13.6 cm/5.37 in. H 17.4 cm/6.85 in. W 6.3 cm/2.48 in. D Sealed and waterproof, ideal for saltwater use	13.6 cm/5.37 in. H 17.4 cm/6.85 in. W 6.3 cm/2.48 in. D Sealed and waterproof, ideal for saltwater use	13.6 cm/5.37 in. H 17.4 cm/6.85 in. W 6.3 cm/2.48 in. D Sealed and waterproof, ideal for saltwater use

Specifications

Mark & Mark DSI Fishfinders & Chartplotters



	Mark-5x	Mark-5x Pro	Mark-5x DSI
Function	Single-Frequency Fishfinder	Dual-Frequency Fishfinder	DownScan Imaging™ Fishfinder
Display	12.7 cm/5 in. Film SuperTwist	12.7 cm/5 in. Film SuperTwist	12.7 cm/5 in. Film SuperTwist
Resolution	16-level gray scale 480 x 480 pixels	16-level gray scale 480 x 480 pixels	16-level gray scale 480 x 480 pixels
Backlighting	Bright white LED adjustable screen/keypad	Bright white LED adjustable screen/keypad	Bright white LED adjustable screen/keypad
Power Output Watts RMS/Peak-to-Peak	200/1600	300/2400	500/4000
Operating Frequency	200 kHz	83/200 kHz	455/800 kHz
Depth Capability	244 m/800 ft.	305 m/1000 ft.	76 m/250 ft
Operating Voltage	10-17 vDC	10-17 vDC	10-17 vDC
Languages	Choice of 23	Choice of 23	Choice of 23
Mounting	Quick-release base with one-hand tilt/swivel or in-dash mounting	Quick-release base with one-hand tilt/swivel or in-dash mounting	Quick-release base with one-hand tilt/swivel or in-dash mounting
Case Size	13.6 cm/5.37 in. H 17.4 cm/6.85 in. W 6.3 cm/2.48 in. D Sealed and waterproof, ideal for saltwater use	13.6 cm/5.37 in. H 17.4 cm/6.85 in. W 6.3 cm/2.48 in. D Sealed and waterproof, ideal for saltwater use	13.6 cm/5.37 in. H 17.4 cm/6.85 in. W 6.3 cm/2.48 in. D Sealed and waterproof, ideal for saltwater use

M/X Compact Fishfinders & GPS



	X-4	X-4 Pro	X52	X59 DF	X67c	M68c
Function	Fishfinder	Fishfinder	Fishfinder	Fishfinder	Fishfinder	Fishfinder/GPS
Display	10.2 cm/4 in. Film SuperTwist	10.2 cm/4 in. Film SuperTwist	10.2 cm/4 in. Film SuperTwist	10.2 cm/4 in. Film SuperTwist	8.9 cm/3.5 in. Active Matrix	8.9 cm/3.5 in. Active Matrix
Resolution	4-level gray scale 240V x 160H pixels	4-level gray scale 240V x 160H pixels	16-level gray scale 240V x 160H pixels	16-level gray scale 240V x 160H pixels	256-color TFT 320V x 240H pixels	256-color TFT 320V x 240H pixels
Backlighting	Incandescent/screen	Incandescent/screen	White LED/screen & keypad	White LED/screen & keypad	White LED/screen & keypad	White LED/screen & keypad
Power Output Watts RMS/Peak-to-Peak	100/800	188/1500	188/1500	300/2400	100/800	100/800
Operating Frequency	200 kHz	83/200 kHz	200 kHz	50/200 kHz	200 kHz	200 kHz
Depth Capability	180 m/600 ft.	305 m/1000 ft.	183 m/600 ft.	457 m/1500 ft. @ 50 kHz	183 m/600 ft.	183 m/600 ft. 244 m/800 ft. Deep Water model
Operating Voltage	10-17 vDC	10-17 vDC	10-17 vDC	10-17 vDC	10-17 vDC	10-17 vDC
GPS Receiver/Antenna	N/A	N/A	N/A	N/A	N/A	Internal 12-channel
Waypoint Management	N/A	N/A	N/A	N/A	N/A	Up to 1000 waypoints, 100 routes, 100 retracable plot plot trails, up to 10,000 points per trail
Communication	N/A	N/A	NMEA 2000*	NMEA 2000*	N/A	NMEA 0183
Alarms	Deep/shallow/fish	Deep/shallow/fish	Deep/shallow/fish	Deep/shallow/fish	Deep/shallow/fish	Deep/shallow/fish and GPS alarms
Case Size	14.7 cm/5.8 in. H 10.8 cm/4.3 in. W 6.6 cm/2.5 in. D Sealed and waterproof, ideal for saltwater use	14.7 cm/5.8 in. H 10.8 cm/4.3 in. W 6.6 cm/2.5 in. D Sealed and waterproof, ideal for saltwater use	13.2 cm/5.2 in. H 13.6 cm/5.4 in. W 6.6 cm/2.5 in. D Sealed and waterproof, ideal for saltwater use	13.2 cm/5.2 in. H 13.6 cm/5.4 in. W 6.6 cm/2.5 in. D Sealed and waterproof, ideal for saltwater use	14.7 cm/5.8 in. H 10.8 cm/4.3 in. W 6.6 cm/2.5 in. D Sealed and waterproof, ideal for saltwater use	14.7 cm/5.8 in. H 10.8 cm/4.3 in. W 6.6 cm/2.5 in. D Sealed and waterproof, ideal for saltwater use

VHF



VHF/GPS Characteristics	Fixed-Mount LVR-880	Fixed-Mount LVR-250	Portable Combo LHR-80
Dimensions (HWD) and weight – w/o bracket, microphone, or antenna	96 x 180 x 156 mm 3.8 x 7.1 x 6.1 in. 3.7 lbs (1.66 kg)	72 x 160 x 156 mm 2.8 x 6.3 x 6.1 in. 2.8 lbs (1.29 kg)	139 x 67.8 x 38.1 mm 5.50 x 2.67 x 1.50 in. 0.70 lbs (0.318 kg) with battery
LCD Display (HW)	Backlighted FSTN Full bitmapped (64 x 128) 1.3 x 2.6 in.; 33 x 71 mm	Backlighted FSTN 1.0 x 1.8 in.; 26 x 46mm 4 line x 12 Character + Icons	Backlighted FSTN Full bitmapped (128 x 128) 1.52 x 1.52 in.; 38.7 x 38.7mm
Channel Bank and Select Operation	All USA/Canada/Intrnational VHF voice and weather channels with Dual/Tri Watch	All USA/Canada/Intrnational VHF voice and weather channels with Dual/Tri Watch	All USA/Canada/Intrnational VHF voice and weather channels with Dual/Tri Watch
Hand Microphone Features	PTT button, Hi/Lo, CH16, 3CH, channel up/down, built-in speaker and backlighting	PTT button, Hi/Lo, CH16, 3CH, channel up/down, built-in speaker and backlighting	—
Power Supply/Battery Life	13.8 vDC±15%	13.8 vDC±15%	7.4V – 1400 mAh Li-Polymer >8 hr (5W 5%, 5%, 90% ratio, GPS on), 230ma in Standby >9 hr (1W 5%, 5%, 90% ratio GPS off), 70ma in Standby With battery level indicator
Audio Output Power	2W - 8Ω @ 10% distortion 94dBA internal speaker 4W - 4Ω @ 10% distortion with external speaker	2W - 8Ω @ 10% distortion 89dBA internal speaker 4W - 4Ω @ 10% distortion with external speaker	250mW internal speaker
Digital Selective Calling - DSC	Full Class D	Full Class D	SC101 DSC
DSC Call Types	All calls are available - including high resolution position polling and Track-Your-Buddy	All calls are available - including high resolution position polling	All calls are available - including high resolution position polling and Track-Your-Buddy
Directory/MMSI Entry	20 Individual + Group MMSI + User MMSI	20 Individual + Group MMSI + User MMSI	ATIS MMSID
Built-in GPS	—	—	YES , LL fix less than 5 sec HOT start
Call Logs	20 Individual/10 Distress	20 Individual/10 Distress	20 Individual + Group MMSI + User MMSI
Get-Buddy	—	—	YES
GPS Input + Output	NMEA 0183/NMEA 2000*	NMEA 0183	NMEA 0183 output while on cradle
Hailer with Intercom Talkback/ External Speaker	Powerful 22W Hailer with Auto/manual sounds and listen-back, plus external speaker jack	No Hailer - has external speaker jack	—
Navigation with Waypoints and MOB	200 Waypoints with instant GO control	—	500 Waypoints with instant GO control. One track with 360 Trackpoints/control. Selection to show nearest 5 Waypoints
FM Stereo Radio	USA/EU/AUS bands	—	—
Local/Distance	YES	YES	YES
3 Favourite Channel Select/Scan	YES	YES	YES
12db Sinad Sensitivity	25uV (distant)/2.5uV (local)	25uV (distant)/2.5uV (local)	25uV (distant)/2.5uV (local)
Other Standard Features	Flush mount kit and sun cover	Flush mount kit and sun cover	IT FLOATS. Built-in 12-channel GPS receiver with lat/lon output, Great Circle navigation trackplotter display, local waypoint icons and cursor control. GPS satellite screen

All VHF's share the following features:

- Tx Power:** 6A@25W / 1.5A@1W fixed-mount | 1.75A@5W / 0.8A@1W portable
- Current Drain:** 1.75A at 5W/0.8A at 1W portable 6A at 25W/1.5A at 1W fixed mount
- Battery monitor:** Yes – level indicator with portable
- Compass safe distance:** 0.45m – fixed mount
- Temperature:** -4 to 122° F (-20 to 50° C)
- Waterproof Rating:** J157
- Antenna Connector:** SO-239; SMB – Portable
- Transmitter Protection:** Open/Short circuit of antenna
- Dual Watch Monitoring:** Yes

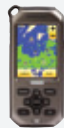


Specifications

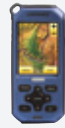
Endura™ Handheld GPS



Out&Back



Safari



Sierra

Receiver	42-channel, Internal GPS antenna, WAAS/EGNOS/MSAS correction	42-channel, Internal GPS antenna, WAAS/EGNOS/MSAS correction	42-channel, Internal GPS antenna, WAAS/EGNOS/MSAS correction
Display	6.8 cm/2.7 in. 320V x 240H pixels optimized QVGA color touchscreen	6.8 cm/2.7 in. 320V x 240H pixels optimized QVGA color touchscreen	6.8 cm/2.7 in. 320V x 240H pixels optimized QVGA color touchscreen
Backlighting	White LED screen, adjustable	White LED screen, adjustable	White LED screen, adjustable
Waypoint Management	Up to 4000 waypoints; 500 routes/up to 250 waypoints per route; 100 trails/up to 10,000 points per trail; 4,000 geocaches; 194 graphic marker icons	Up to 4000 waypoints; 500 routes/up to 250 waypoints per route; 100 trails/up to 10,000 points per trail; 4,000 geocaches; 194 graphic marker icons	Up to 4000 waypoints; 500 routes/up to 250 waypoints per route; 100 trails/up to 10,000 points per trail; 4,000 geocaches; 194 graphic marker icons
Communications	NMEA 0183 output	NMEA 0183 output	NMEA 0183 output
Battery/Life	Two AA (sold separately) 10 – 15 hours	Two AA (sold separately) 10 – 15 hours	Two AA (sold separately) 10 – 15 hours
Operating Temperature	-4° F to +120° F/-20° C to +49° C	-4° F to +120° F/-20° C to +49° C	-4° F to +120° F/-20° C to +49° C
Storage Temperature	-40° F to +185° F/-40° C to +85° C	-40° F to +185° F/-40° C to +85° C	-40° F to +185° F/-40° C to +85° C
Case	13 cm/5.1 in. H 6 cm/2.4 in. W 3.1 cm/1.2 in. D Sealed and IPx7 waterproof with rubber armoring 0.165 kg/0.36 lbs.	13 cm/5.1 in. H 6 cm/2.4 in. W 3.1 cm/1.2 in. D Sealed and IPx7 waterproof with rubber armoring 0.165 kg/0.36 lbs.	13 cm/5.1 in. H 6 cm/2.4 in. W 3.1 cm/1.2 in. D Sealed and IPx7 waterproof with rubber armoring 0.165 kg/0.36 lbs.

Embedded Cartography

Preloaded Onboard Maps	Basic	Advanced	Premium
Built-in Road Network	Primary	Primary/Secondary	All
Topo Contour Interval (feet)	—	500	100
Cartography Options	Fishing Hot Spots®, LakeMaster®, Lowrance Accuterra® Outdoor mapping on microSD media cards	Fishing Hot Spots®, LakeMaster®, Lowrance Accuterra® Outdoor mapping on microSD media cards	Fishing Hot Spots®, LakeMaster®, Lowrance Accuterra® Outdoor mapping on microSD media cards

Key Features

Built-in Backup Memory	•	•	•
Accepts GPX Trail/POI Data	•	•	•
Geocaching Application	•	•	•
Navigation Bearing Detail	•	•	•
3D Compass	—	•	•
Barometric Altimeter	—	•	•
Trip/Route Recording	•	•	•
Power Standby Mode	•	•	•
Picture Viewer	•	•	•
MP3 Player	—	•	•
Video Player	—	•	•
Headset Jack & Speaker	—	•	•
Microphone	—	•	•
Uses up to 32GB microSD cards	•	•	•
Mini USB Data/Power Port	•	•	•



StructureScan™ Sonar Imaging



LSS-1 Module	
Power Requirement	12 vDC
Input Voltage	10 – 17 vDC
Transmit Power Watts Peak-to-Peak/RMS	4,000/500
Current Drain	.75A maximum .60A typical 4.7A inrush peak
Fuse Type	External 3A automotive blade
Networking	Ethernet; connectors for 3 devices
Imaging Transducer	
Cable Length	20 ft/6 m
Target Separation	1.5 in/38.1 mm
Frequencies	455 kHz and 800 kHz
Weights	
LSS-1 Module	1.8 lbs./0.82 kg
Imaging Transducer	1.9 lbs./0.86 kg 2.55 lbs./1.16 kg with transom-mount bracket
Sidescan Detail	
Maximum Range	500 ft./152 m wide (250 ft./76.2 m each side) @455 kHz 300 ft./92 m wide (150 ft./46 m each side) @800 kHz
Maximum Depth	150 ft./46 m
Bottom Tracking	35 mph/56 kph and less
Mark Objects	15 mph/24 kph and less
Optimum Speed	2 – 10 mph/3 – 16 kph or less
DownScan™ Imaging Detail	
Maximum Depth	300 ft./92 m @455 kHz 100 ft./30 m @ 800 kHz
Bottom Tracking	55 mph/88 kph and less
Mark Objects	35 mph/56 kph and less
Optimum Speed	2 – 10 mph/3 – 16 kph or less

LWX-1 SIRIUS® Satellite Weather and Radio Antenna/Receiver



Electrical	
Power	3.5 W maximum (Potted Cable, mSDR, SDM and Antenna)
Source	8 - 18 vDC (Vessel Power)
Audio	Analog output levels of 2.2V (peak-to-peak) into 600 Ohms
Data/Control	Ethernet (NDR to Host)
Backup Memory	30 minutes after DC power removal via SUPERCAP
Antenna	Internal Ceramic Patch
Cables	20 ft./6 m Cat5e cable from NDR to Interface box 6.6 ft./2 m cable to HDS Ethernet connector 3.3 ft./1 m power cable to 12 vDC source
Mechanical	
Size (HxWxD)	2.0 x 5.0 x 3.7 in./ 50 x 127 x 94 mm (excludes pedestal mount)
Weight	12 oz./340 g without cable 22 oz./622 g with cable
Enclosure	White, UV stabilized, injection molded
Mounting	Flush mount, Pole Mount or Pedestal mount
Environmental	
Temperature Range	-4° F to +158° F/-20° C to +70° C @ 95% humidity (non-operating) +14° F to +140° F/-10° C to +60° C @ 95% humidity (operating)

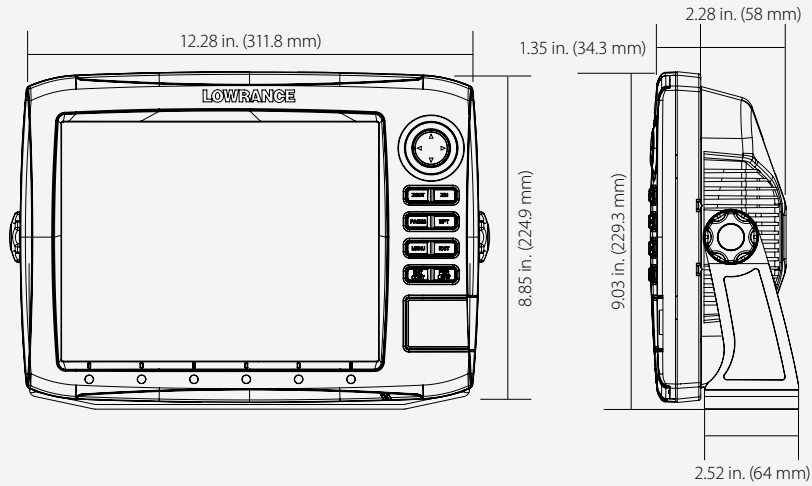
SonicHub™ Marine Audio Server/Stereo



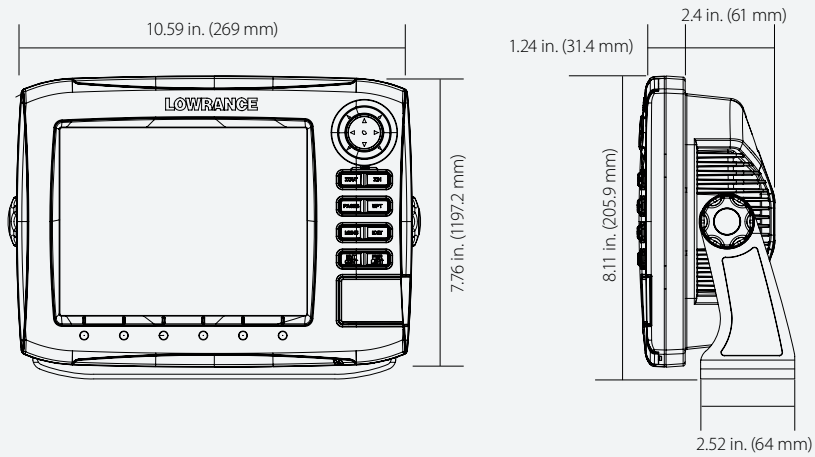
Components	Waterproof server hub module, Media dock, and two 6.5 in./165 mm marine speakers, plus iPod/iPhone dock sleeves
Media	Hub Module - Built-in AM/FM tuner (antenna/coupler purchased separately) Stereo AUX IN - audio CD/DVD/MP3 devices Stereo SAT IN - SIRIUS® Satellite Radio Mono SUB OUT - subwoofer
Hub Amplifier	4 channel/50W per channel
Tuning Range	FM - 87.4 MHz to 108.0 MHz; Frequency step: 100 kHz AM - 530 MHz to 1710 MHz; Frequency step: 10 kHz
Communication	NMEA 2000®
Control	Full audio selections/control from any HDS® multifunction display on the NMEA 2000® onboard network
Operating Voltage	10 – 16 vDC
Current	15 A (Max); 250 mA (Muted)
Temperature Range	-40° F to +176° F/-40° C to +80° C (stored) -4° F to +140° F/-20° C to +60° C (operating)
Weight	1.96 lbs./0.88 kg
Dimensions LxWxH	4.2 x 8.9 x 2.4 in./107 x 225 x 62 mm

Product Dimensions/Drawings

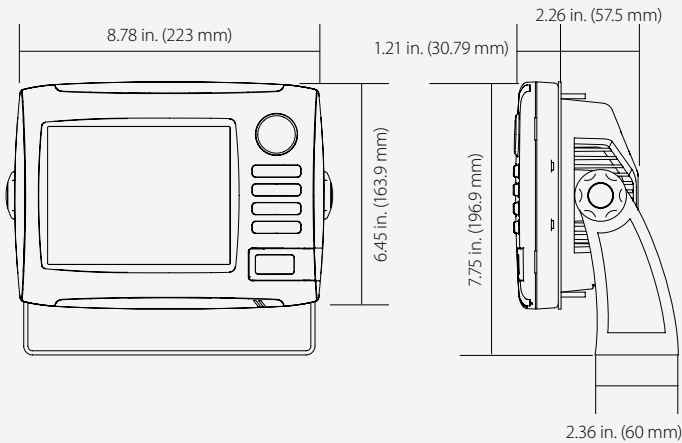
HDS-10/10m



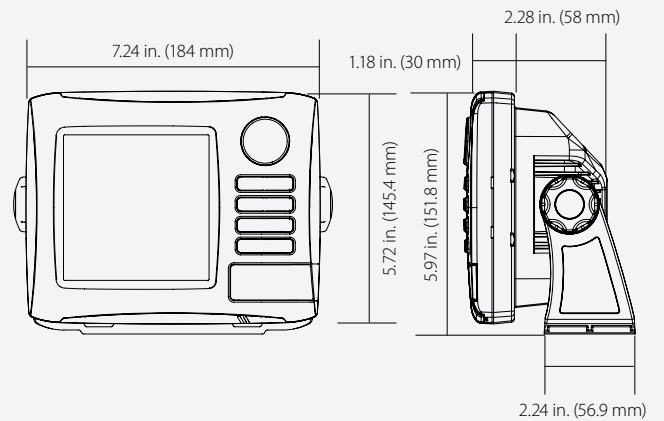
HDS-8/8m



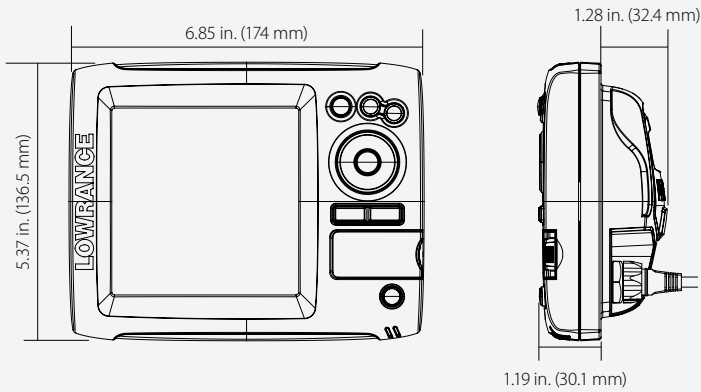
HDS-7/7m



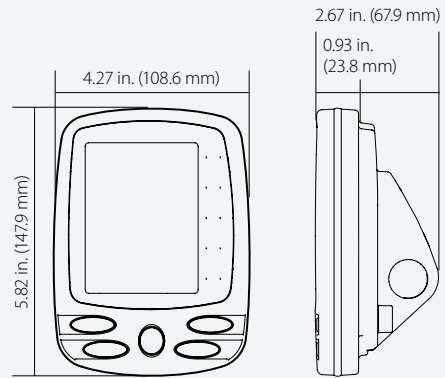
HDS-5/5x/5m



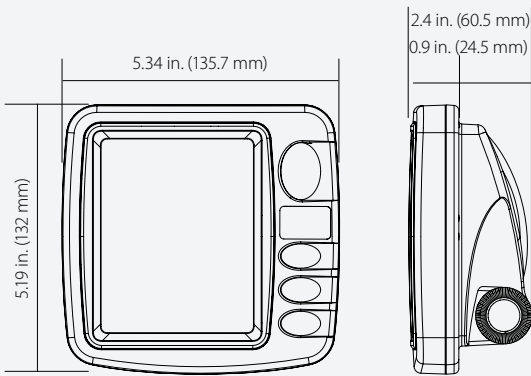
Elite/Mark (all)



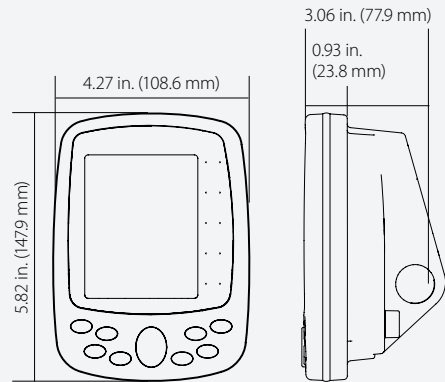
X-4/X-4 Pro/X67c



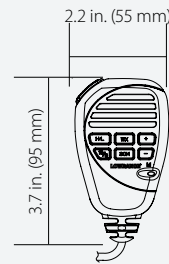
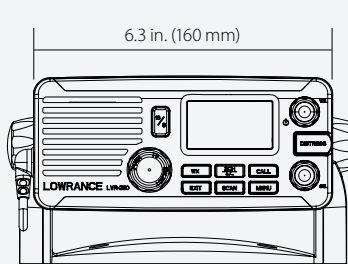
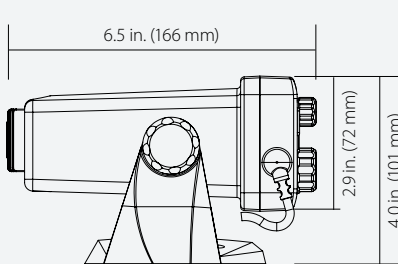
X59/X52



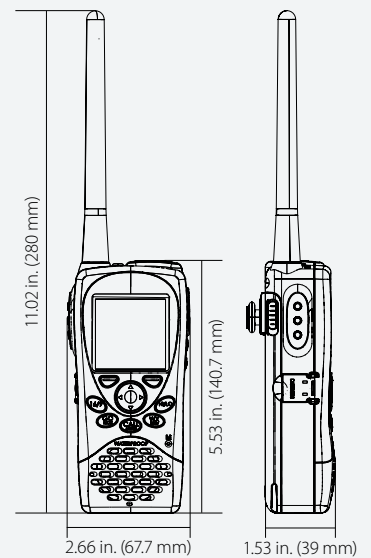
M68c



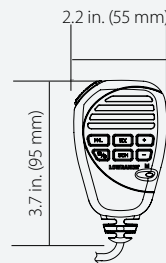
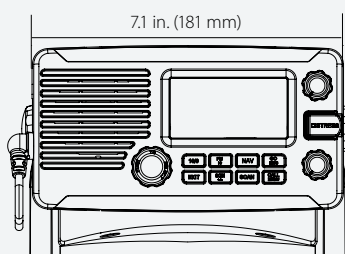
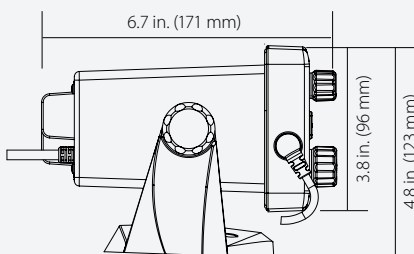
LVR-880



LHR-80

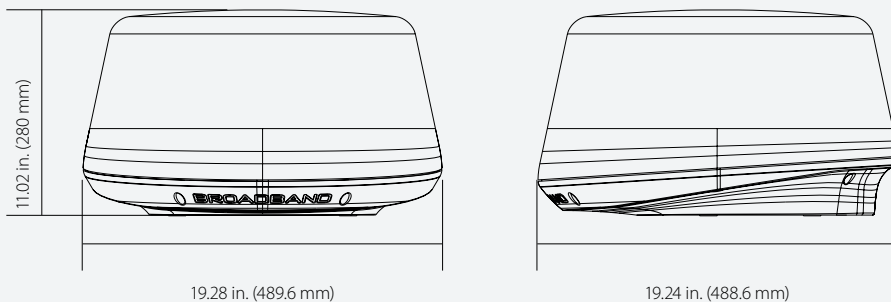


LVR-250

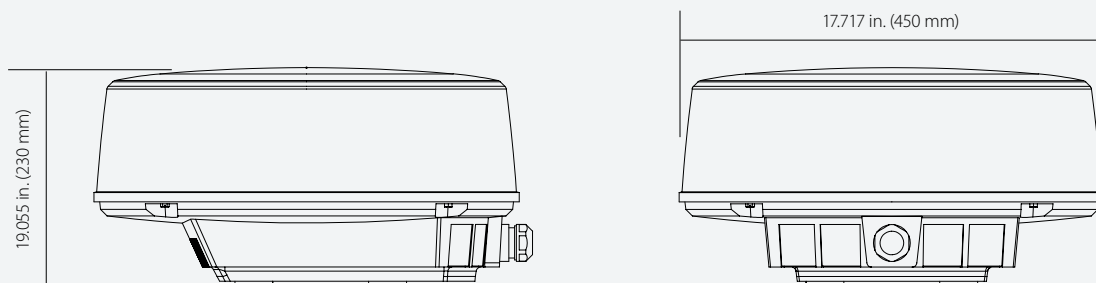


Product Dimensions/Drawings

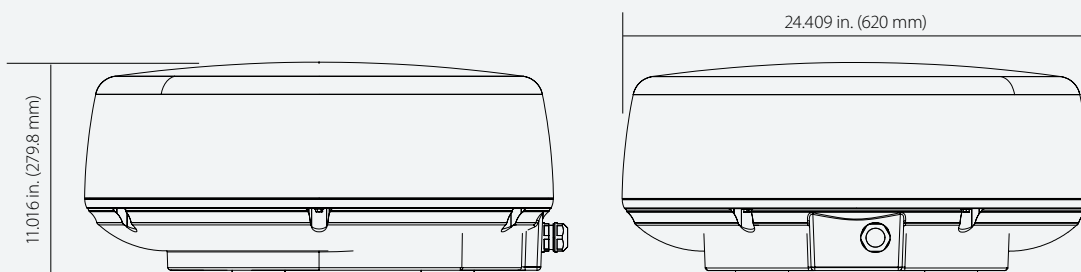
3G



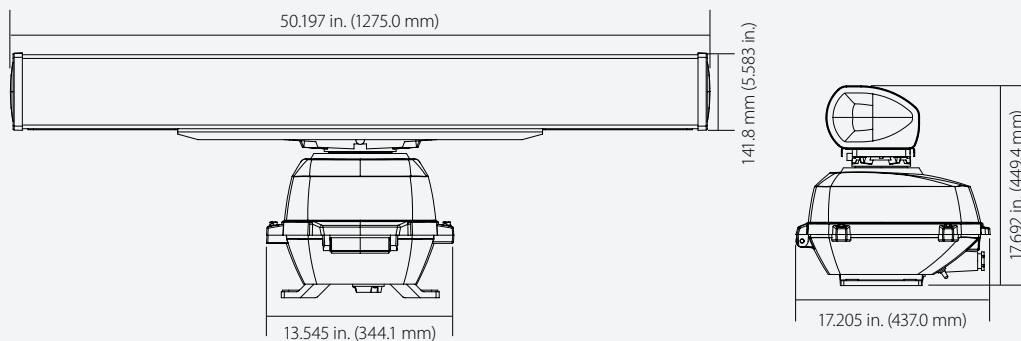
LRA-1800



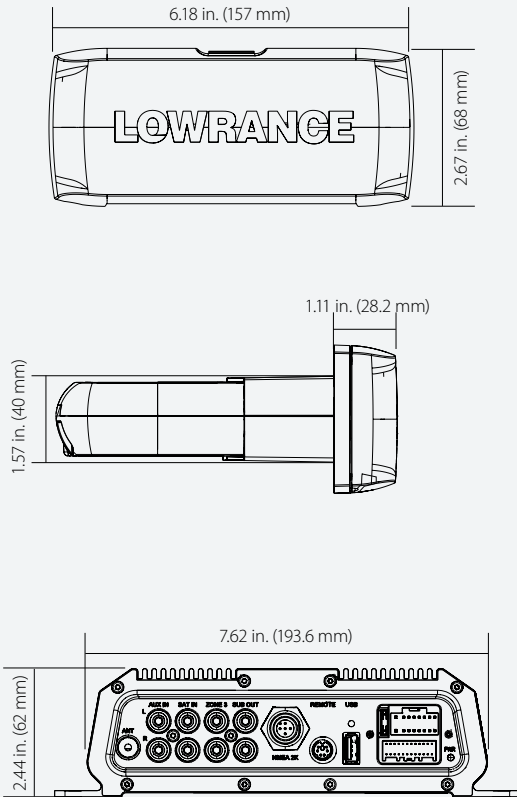
LRA-2400



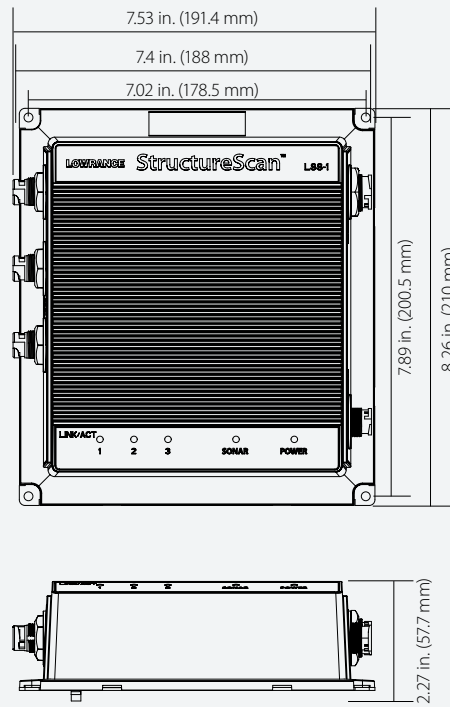
TX06L-1



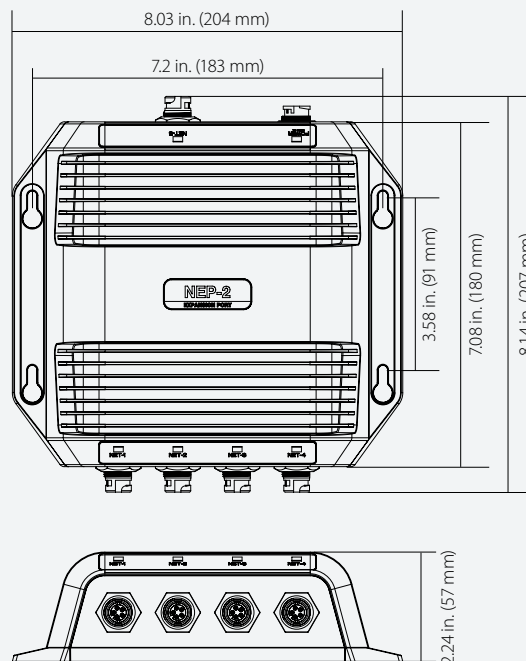
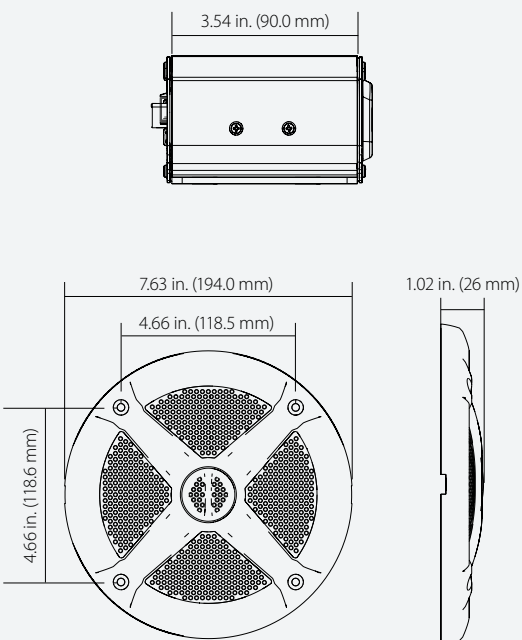
SonicHub™



LSS-1

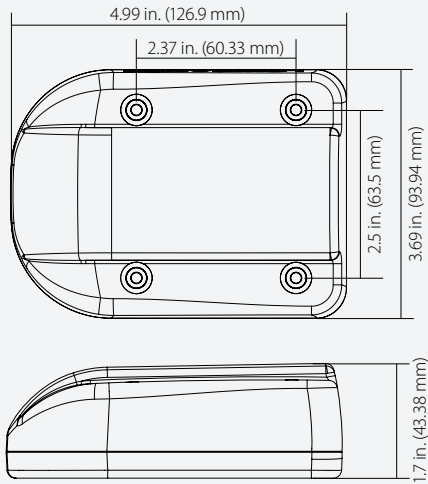


NEP-2

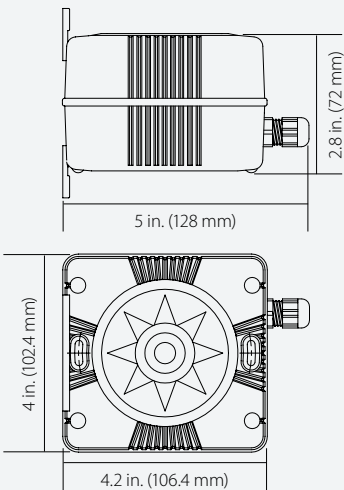


Product Dimensions/Drawings

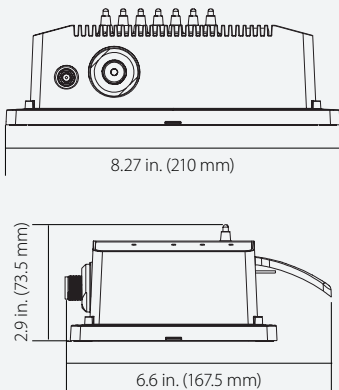
LWX-1



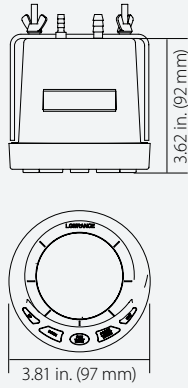
RC42



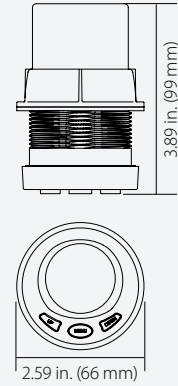
NAIS-300



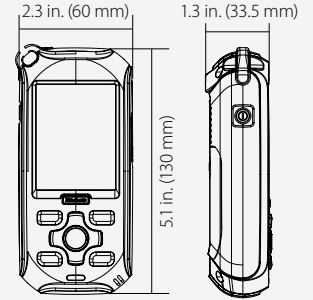
LMF-400



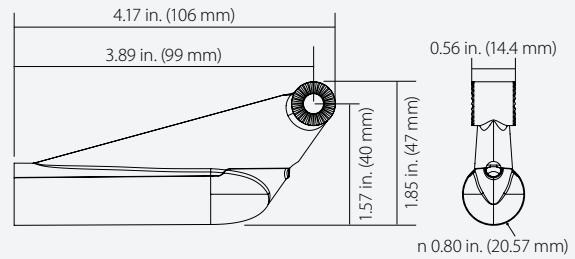
LMF-200



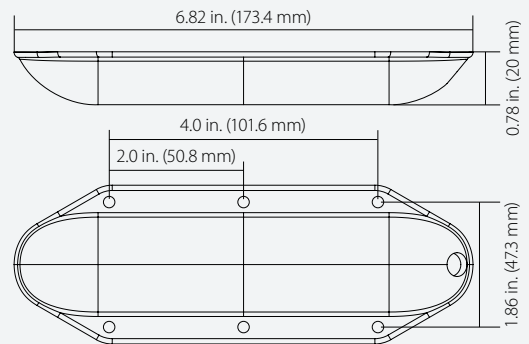
Endura™



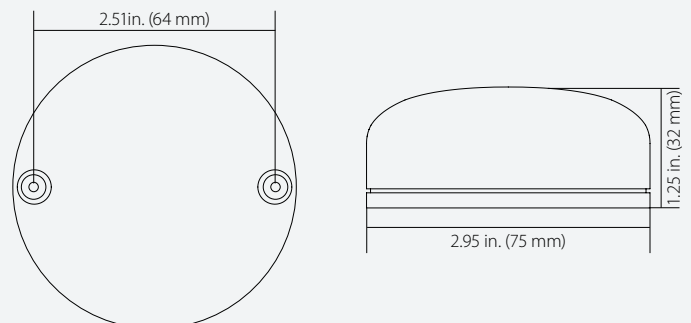
Skimmer® DSI Imaging transducer



StructureScan™ Imaging transducer



LGC-4000





LOWRANCE®

www.lowrance.com

Navico Americas

Lowrance-Navico Headquarters
12000 East Skelly Drive
Tulsa, OK 74128-2486 USA
918.437.6881

Customer Service

800.628.4487
Continental U.S. Weekdays
www.lowrance.com/support
Self-service product answers and services

PHOTO CREDITS

Ranger Boats; pages 1, 15
Tracker Marine Group, pages 1, 6, 7, 23, 29, 34, 51
SE Multimedia, page 17, 33, 43
David McCleaf, page 11, 33
BASS Communications, page 25
BASS/Jerry Carpenter, page 26
Tracker Marine Group, page 34
Triton Boats, page 1, 37

The Lowrance® brand is wholly owned by Navico, Inc., a privately held, international marine electronics company. Navico is currently the world's largest marine electronics company, and is the parent company to leading marine electronics brands: Lowrance, Simrad Yachting and B&G. www.navico.com

All trademarks are property of their respective owners. Products, features and specifications are subject to change without notice. © 2011 Navico